

TECHNOLOGY TO THE POINT



Haitian Plastics Machinery Group Co., Ltd
No.1688, Haitian Road, Xiaogang, Beilun, Ningbo, Zhejiang, China 315801
+ 86-574-8617 7005 (China)
+ 86-574-8617 7242 (International)
haitian@mail.haitian.com
www.haitianpm.com

NINGBO HAITIAN HUAYUAN MACHINERY CO.,LTD.
No.1, Nanhuan Road, Export Processing Zone, Beilun, Ningbo, Zhejiang, China 315806
+86-574-8617 7242
+86-574-8622 1864
haitian@mail.haitian.com
www.haitianpm.com



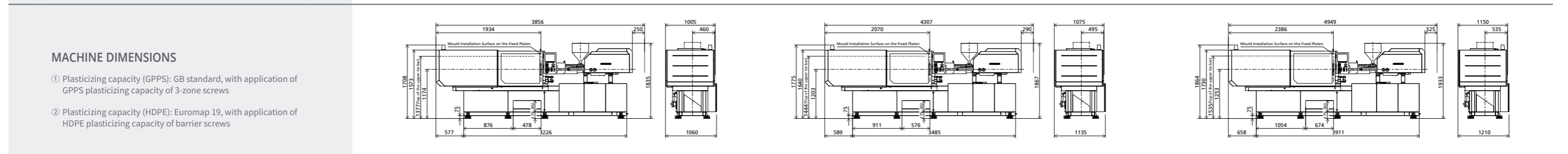
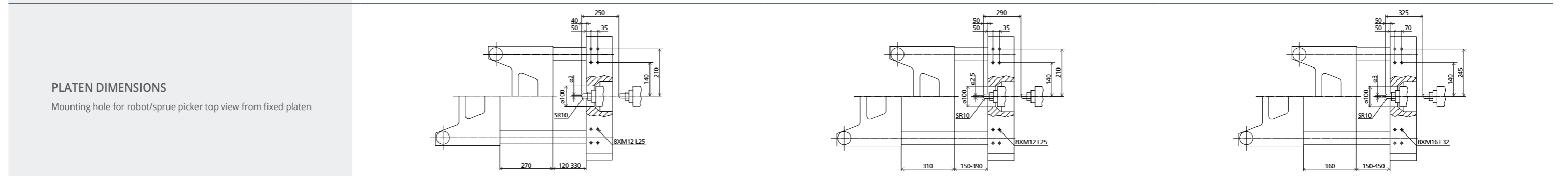
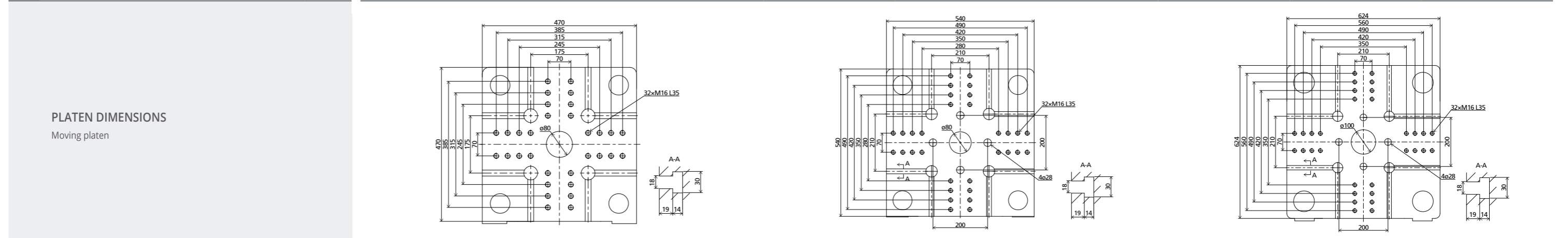
MARS SERIES

SERVO-HYDRAULIC SOLUTION
TECHNICAL SPECIFICATION
600 - 12,000 kN



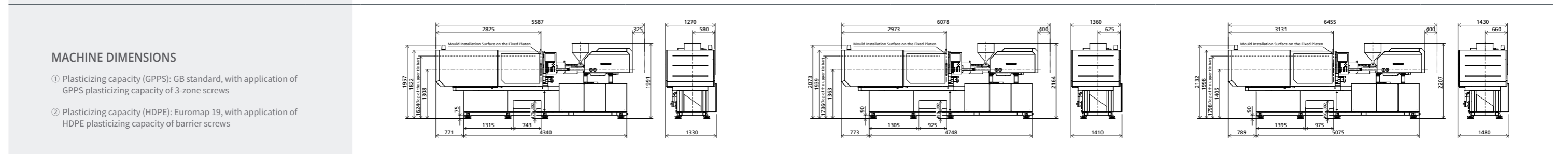
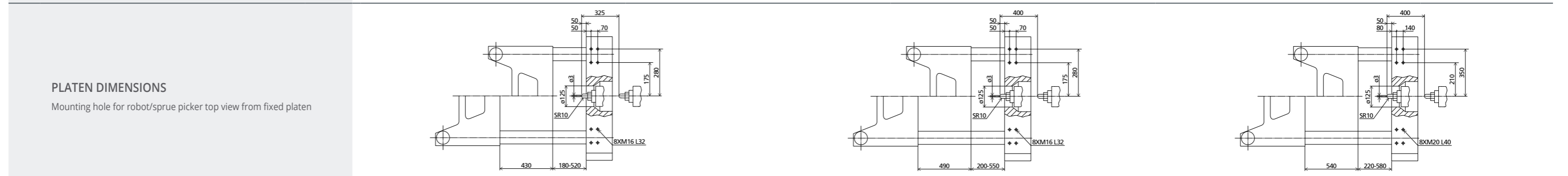
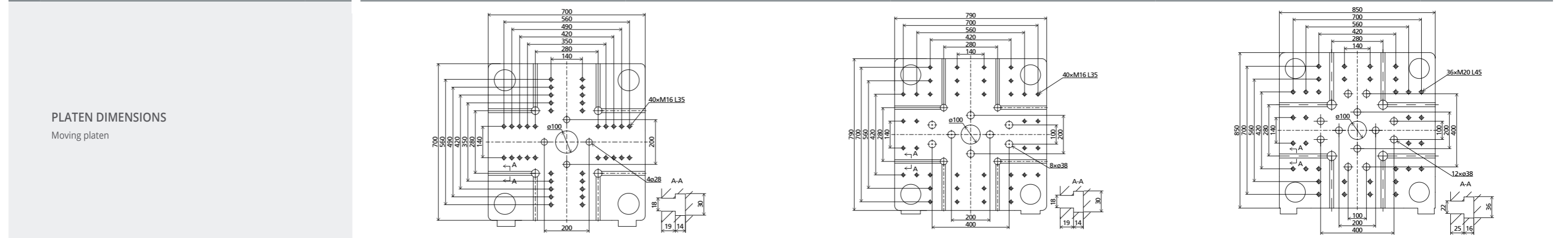
SPECIFICATION

MACHINE TYPE		MA600V/130	MA900V/280	MA1200V/400						
CLAMPING UNIT	Clamping force	kN	600	900	1200					
	Mold opening stroke	mm	270	310	360					
	Mold height min.	mm	120	150	150					
	Mold height max.	mm	330	390	450					
	Dist. between tie-bars (H×V)	mm	310×310	360×360	410×410					
INJECTION UNIT	Ejector stroke	mm	70	100	120					
	Ejector force	kN	22	33	33					
	Screw diameter	mm	A 24	B 28	A 32	B 36	C 40	A 36	B 40	C 45
	Screw L/D ratio	L/D	23.3	20	22.5	20	18	23.3	21	18.7
	Injection volume (theoretical)	cm ³	49	67	120	152	188	173	213	270
	Injection weight (PS)	g	45	61	109	138	171	157	194	246
	Injection rate (PS)	g/s	53	72	87	111	137	106	131	166
	Injection rate (ESG)	g/s	56	76	97	123	152	117	145	183
	Injection pressure	MPa	263	193	248	196	158	233	189	149
	Plasticizing rate (GPPS) ①	g/s	6.1	8.8	14.2	18.8	22.7	18.9	23.1	30.6
Plasticizing rate (HDPE) ②	g/s	-	-	-	-	-	-	-	-	
Screw speed	rpm	350	350	350	350	350	350	350	350	
OTHERS	Pump motor power	kW	13	15	18.5					
	Heater power	kW	6.5	8.6	12.85					
	Machine dimension (L×W×H)	m	3.92×1.09×1.84	4.35×1.16×1.87	4.95×1.24×1.94					
	Machine weight	t	2.5	3.1	4.0					
	Hopper capacity	kg	25	25	25					
Oil tank	l	90	120	140						



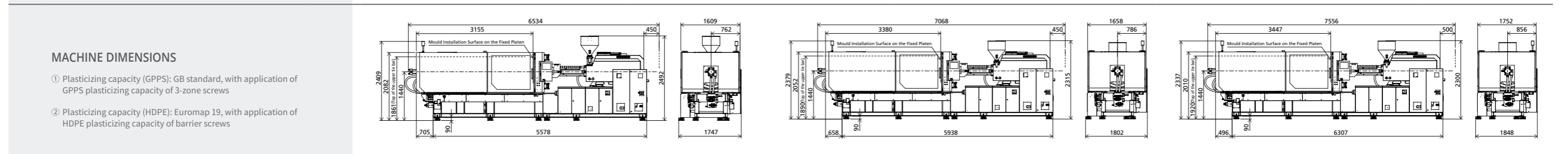
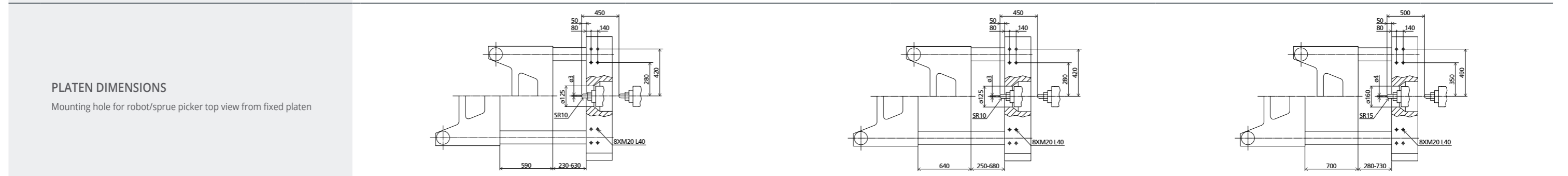
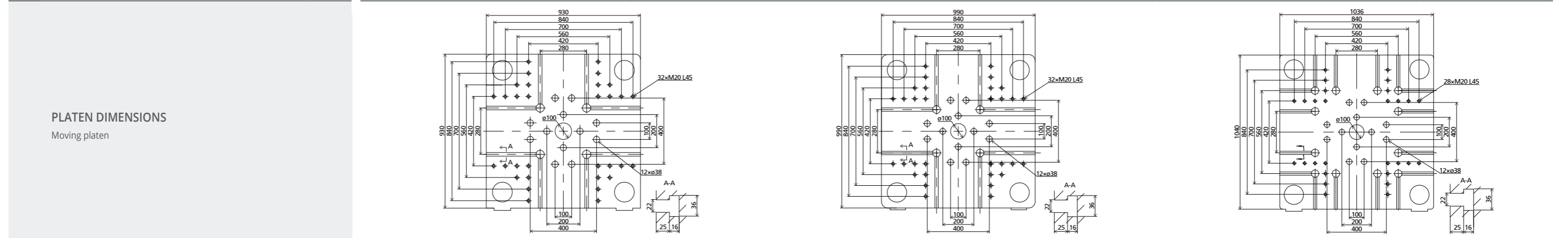
SPECIFICATION

MACHINE TYPE		MA1600V/570	MA2000V/750	MA2500V/1000	
CLAMPING UNIT	Clamping force	kN	1600	2000	2500
	Mold opening stroke	mm	430	490	540
	Mold height min.	mm	180	200	220
	Mold height max.	mm	520	550	580
	Dist. between tie-bars (H×V)	mm	470×470	530×530	580×580
	Ejector stroke	mm	140	140	150
Ejector force	kN	33	62	62	
INJECTION UNIT	Screw diameter	mm	A 40 B 45 C 50	A 45 B 50 C 55	A 50 B 55 C 60
	Screw L/D ratio	L/D	22.5 20 18	22.2 20 18.2	22 20 18.3
	Injection volume (theoretical)	cm ³	252 319 394	365 451 546	496 601 715
	Injection weight (PS)	g	229 290 359	332 410 497	452 546 650
	Injection rate (PS)	g/s	131 166 205	166 205 248	196 237 283
	Injection rate (ESG)	g/s	144 183 226	177 219 265	215 261 310
	Injection pressure	MPa	239 189 153	233 189 156	228 189 158
	Plasticizing rate (GPPS) ①	g/s	21.0 27.9 35.0	29.0 36.5 44.6	36.9 45.2 53.5
	Plasticizing rate (HDPE) ②	g/s	- - -	- - -	- - -
Screw speed	rpm	285	270	270	
OTHERS	Pump motor power	kW	22	30	37
	Heater power	kW	12.85	16.8	20.3
	Machine dimension (L×W×H)	m	5.59×1.36×2.0	6.08×1.44×2.17	6.46×1.51×2.21
	Machine weight	t	5.0	6.7	8.1
	Hopper capacity	kg	25	50	50
	Oil tank	l	165	205	245



SPECIFICATION

MACHINE TYPE		MA2800V/1350			MA3200V/1700			MA3800V/2250		
CLAMPING UNIT	Clamping force	2800			3200			3800		
	Mold opening stroke	590			640			700		
	Mold height min.	230			250			280		
	Mold height max.	630			680			730		
	Dist. between tie-bars (H×V)	630×630			680×680			730×730		
	Ejector stroke	150			160			180		
Ejector force	62			62			110			
INJECTION UNIT	Screw diameter	A	B	C	A	B	C	A	B	C
	Screw L/D ratio	55	60	65	60	65	70	65	70	75
	Injection volume (theoretical)	21.8	20	18.5	21.7	20	18.6	21.5	20	18.7
	Injection volume (PS)	617	735	862	848	995	1154	1068	1239	1422
	Injection weight (PS)	562	668	785	771	905	1050	972	1127	1294
	Injection rate (PS)	248	295	347	308	362	420	317	367	422
	Injection rate (ESG)	277	330	388	330	387	449	344	399	459
	Injection pressure	223	188	160	224	190	164	214	185	161
	Plasticizing rate (GPPS) ①	46.2	54.9	61.0	59.9	66.5	75.5	62.0	71.1	80.4
Plasticizing rate (HDPE) ②	-	-	-	88.4	99	118	93.5	111	125	
Screw speed	270			260			240			
OTHERS	Pump motor power	45			55			55		
	Heater power	22.55			27.05			30.7		
	Machine dimension (L×W×H)	6.54×1.75×2.50			7.07×1.81×2.38			7.56×1.85×2.34		
	Machine weight	11.3			12.2			14.7		
	Hopper capacity	50			50			50		
	Oil tank	400			450			490		

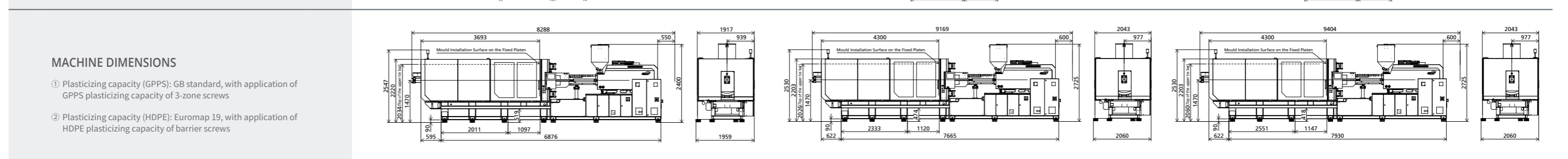
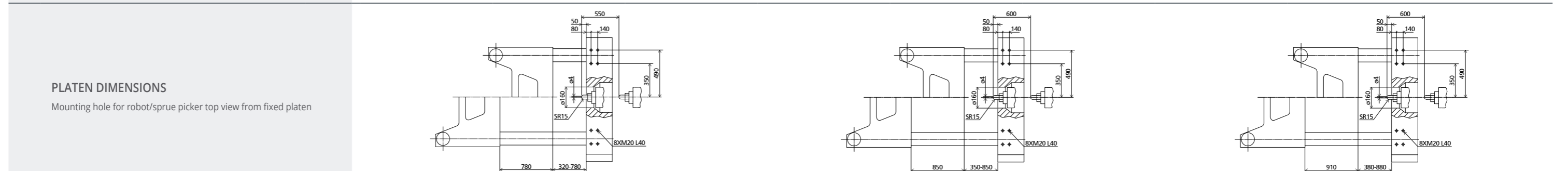
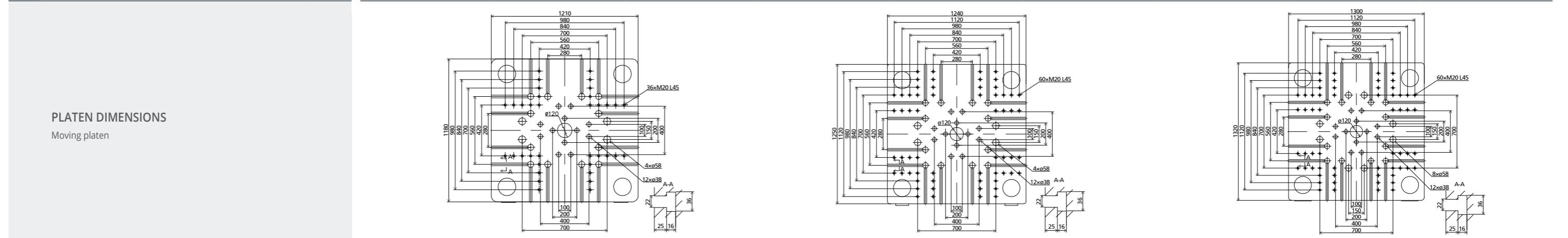


① Plasticizing capacity (GPPS): GB standard, with application of GPPS plasticizing capacity of 3-zone screws
 ② Plasticizing capacity (HDPE): Euromap 19, with application of HDPE plasticizing capacity of barrier screws



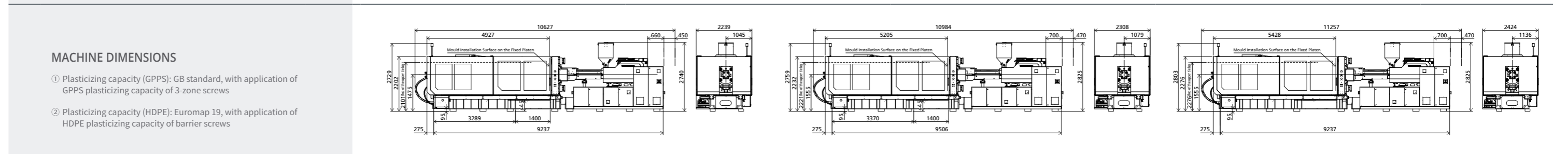
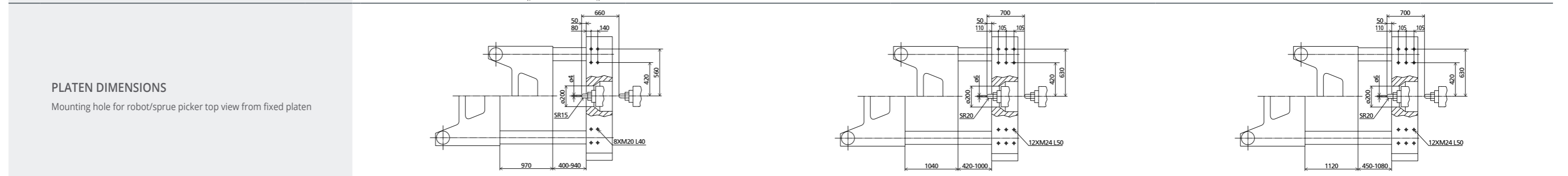
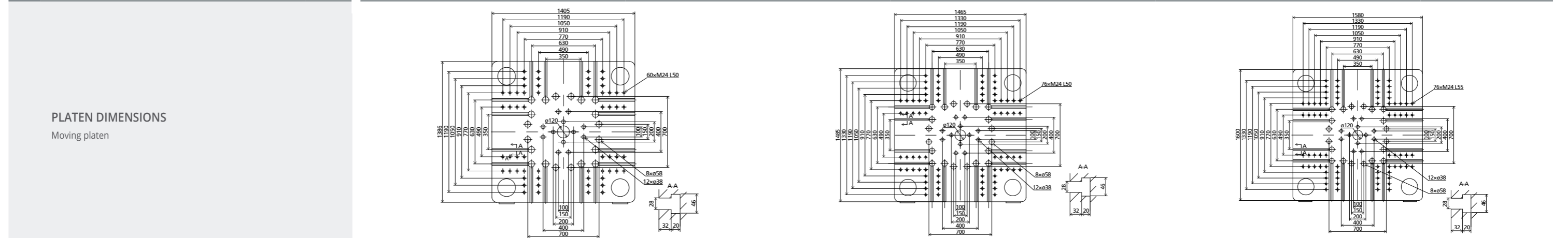
SPECIFICATION

MACHINE TYPE		MA4700V/3200			MA5300V/4500			MA6000V/4500		
CLAMPING UNIT	Clamping force	4700			5300			6000		
	Mold opening stroke	780			850			910		
	Mold height min.	320			350			380		
	Mold height max.	780			850			880		
	Dist. between tie-bars (H×V)	820×800			840×830			880×880		
	Ejector stroke	200			220			240		
Ejector force	110			158			158			
INJECTION UNIT	Screw diameter	A	B	C	A	B	C	A	B	C
	Screw L/D ratio	70	80	85	80	85	90	80	85	90
	Injection volume (theoretical)	22.9	20	19.1	23.4	22	20.8	23.4	22	20.8
	Injection volume (PS)	1423	1859	2099	2211	2496	2799	2211	2496	2799
	Injection weight (PS)	1295	1692	1910	2012	2272	2547	2012	2272	2547
	Injection rate (PS)	366	478	539	516	583	654	516	583	654
	Injection rate (ESG)	388	507	572	-	-	-	-	-	-
	Injection pressure	240	183	162	210	186	165	210	186	165
	Plasticizing rate (GPPS) ①	69.8	92	101	80.2	88.7	101	80.2	88.7	101
Plasticizing rate (HDPE) ②	105	141	160	120	133	150	120	133	150	
Screw speed	220			200			200			
OTHERS	Pump motor power	65			85			85		
	Heater power	39.6			48			48		
	Machine dimension (L×W×H)	8.29×1.96×2.55			9.17×2.04×2.73			9.41×2.06×2.73		
	Machine weight	19.3			23.0			25.0		
	Hopper capacity	50			100			100		
	Oil tank	580			720			720		



SPECIFICATION

MACHINE TYPE		MA7000V/5000	MA8000V/6800	MA9000V/6800	
CLAMPING UNIT	Clamping force	kN	7000	8000	9000
	Mold opening stroke	mm	970	1040	1120
	Mold height min.	mm	400	420	450
	Mold height max.	mm	940	1000	1080
	Dist. between tie-bars (H×V)	mm	960×940	1000×1000	1080×1080
	Ejector stroke	mm	260	280	300
Ejector force	kN	186	186	186	
INJECTION UNIT	Screw diameter	mm	A 80 B 90 C 100	A 90 B 100 C 110	A 90 B 100 C 110
	Screw L/D ratio	L/D	24.8 22 19.8	24.4 22 20	24.4 22 20
	Injection volume (theoretical)	cm ³	2261 2862 3534	2990 3691 4466	2990 3691 4466
	Injection weight (PS)	g	2058 2605 3216	2720 3359 4064	2720 3359 4064
	Injection rate (PS)	g/s	549 694 857	636 786 951	636 786 951
	Injection rate (ESG)	g/s	- - -	- - -	- - -
	Injection pressure	MPa	237 187 152	230 186 154	230 186 154
	Plasticizing rate (GPPS) ①	g/s	85.0 107 131	103 127 150	103 127 150
	Plasticizing rate (HDPE) ②	g/s	128 162 200	156 185 228	156 185 228
Screw speed	rpm	190	170	170	
OTHERS	Pump motor power	kW	65+37	85+30	85+30
	Heater power	kW	54.3	69.5	69.5
	Machine dimension (L×W×H)	m	10.47×2.24×2.74	10.99×2.30×2.83	11.26×2.42×2.83
	Machine weight	t	32.0	37.6	43.0
	Hopper capacity	kg	100	100	100
	Oil tank	l	790	900	900

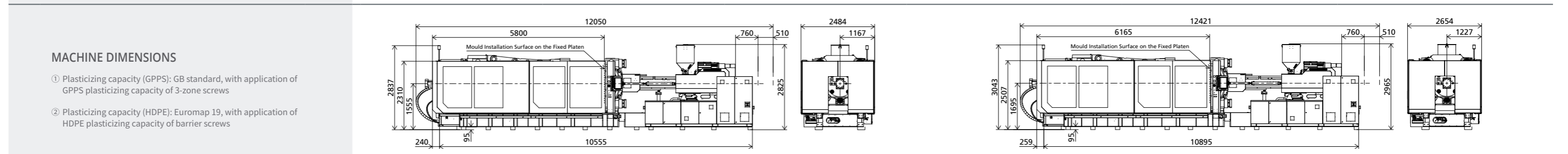
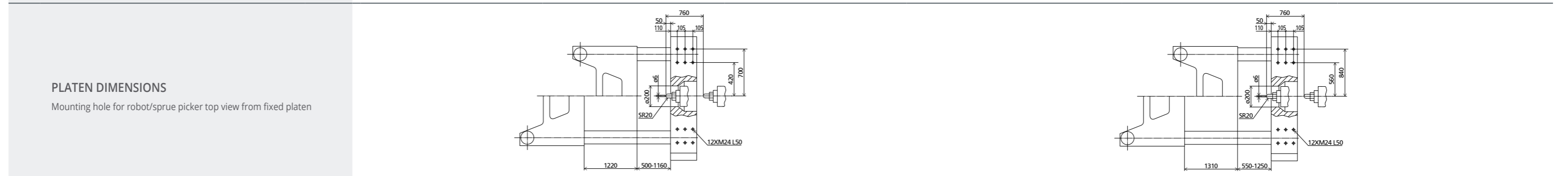
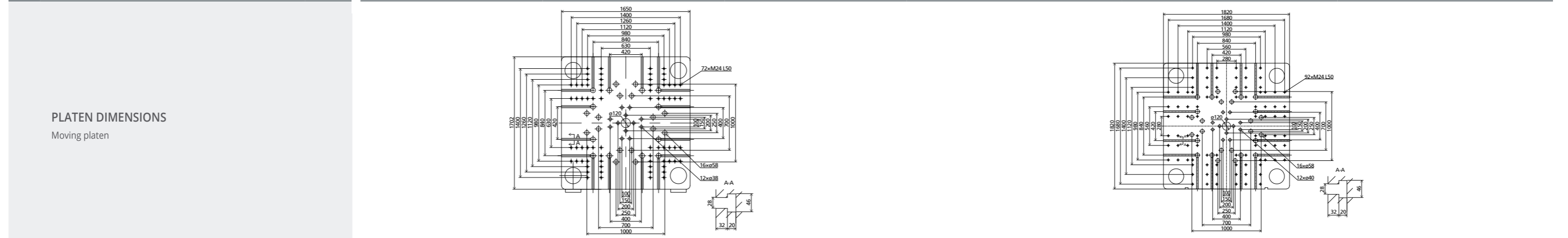


① Plasticizing capacity (GPPS): GB standard, with application of GPPS plasticizing capacity of 3-zone screws
② Plasticizing capacity (HDPE): Euromap 19, with application of HDPE plasticizing capacity of barrier screws



SPECIFICATION

MACHINE TYPE			MA10000V/8400			MA12000V/8400		
CLAMPING UNIT	Clamping force	kN	10000			12000		
	Mold opening stroke	mm	1220			1310		
	Mold height min.	mm	500			550		
	Mold height max.	mm	1160			1250		
	Dist. between tie-bars (H×V)	mm	1160×1160			1250×1250		
INJECTION UNIT	Ejector stroke	mm	320			320		
	Ejector force	kN	215			215		
	Screw diameter	mm	A	B	C	A	B	C
	Screw L/D ratio	L/D	100	110	120	100	110	120
	Injection volume (theoretical)	cm ³	24.2	22	20.2	24.2	22	20.2
	Injection weight (PS)	g	4005	4846	5767	4005	4846	5767
	Injection rate (PS)	g/s	3645	4410	5248	3645	4410	5248
	Injection rate (ESG)	g/s	771	933	1111	771	933	1111
	Injection pressure	MPa	-	-	-	-	-	-
	Plasticizing rate (GPPS) ①	g/s	223	185	155	223	185	155
Plasticizing rate (HDPE) ②	g/s	121	145	168	121	145	168	
Screw speed	rpm	181	217	247	181	217	247	
OTHERS	Pump motor power	kW	85+45			85+45		
	Heater power	kW	82.8			82.8		
	Machine dimension (L×W×H)	m	12.05×2.49×2.83			12.43×2.66×2.97		
	Machine weight	t	47.0			58.0		
	Hopper capacity	kg	100			100		
Oil tank	l	1000			1000			



NOTE

1

2

3

4

5

6

7

8

9

10

1

2

3

4

5

6

7

8

9

10

1

2

3

4

5

6

7

8

9

10

1

2

3

4

5

6

7

8

9

10