

TECHNOLOGY TO THE POINT



NINGBO ZHAFIR PLASTICS MACHINERY MANUFACTURING CO., LTD.
No. 98 Guanhai Road, Chunxiao, Beilun, Ningbo, China 315800

Tel. +86-574-86182986
Fax. +86-574-86182977
E-Mail: contact@mail.zhafir.cn
www.zhafir.cn



VENUS SERIES

TECHNICAL SPECIFICATION

400 – 4,500 kN



TECHNICAL DATA VE400 V

CLAMPING UNIT	Clamping force	kN	400					
	Mold opening stroke	mm	235					
	Mold height min.	mm	150					
	Mold height max.	mm	320					
	Total daylight max.	mm	555					
	Dist. Between tie-bars (H×V)	mm	320×320					
INJECTION UNIT	Size of mold platen (H×V)	mm	440×440					
	Mold dimension min.	mm	205×205					
	Ejector stroke	mm	60					
	Ejector force	kN	9.8					
	INJECTION UNIT	Screw diameter	mm	A	B	A	B	C
			L/D	16	19	19	22	26
		Screw L/D ratio	L/D	21	20	21	22	18
			Injection volume (theoretical) ¹	cm ³	12	17	21	36
		Injection weight (PS) ²	g	10.9	15.4	19.1	32.8	45.5
			MPa	280	260	260	220	157
		Injection pressure ³	bar	2800	2600	2600	2200	1570
			MPa	234	198	208	175	125
		Holding pressure ³	bar	2340	1980	2080	1750	1250
			Screw speed	rpm	400		400	
	Plasticizing rate (GPPS) ⁴	g/s	2.5	3.6	3.8	6	8	
		g/s	-	-	-	-	-	
	Nozzle contact force	kN	9.8		9.8			
		INJECTION UNIT	50		80			
	Injection speed	mm/s	200		200			
		Injection rate (PS)	g/s	35	49	49	66	92
INJECTION UNIT	50h		80h					
	Injection speed	mm/s	350		350			
Injection rate (PS)	g/s	61	86	86	116	162		
	Connection power	kW/A	50:11/18 50h:11/18		80:11/19 80h:13/22			
Heating power		kW	4.3	4.6	4.5	5.7	5.7	
Machine dimension	m	3.67×1.14×1.85		3.67×1.14×1.85				
Machine weight	t	-		-				
Hopper capacity (OP)	l	15		15				

NOTE: ¹ Shot volume is the theoretical value which equals to cross section area of screw cylinder or barrel plunger × screw stroke.

² Shot weight (PS) is the theoretical value of shot volume melt density of PS. It is not a measured value.

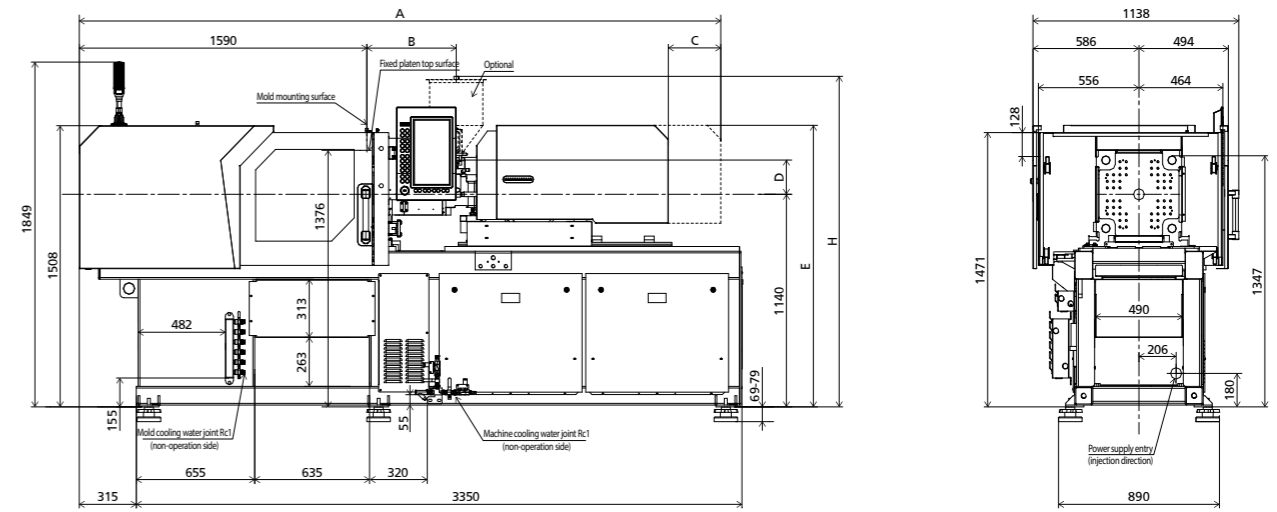
³ Injection & holding pressure are theoretical values of machine output, not the actual resin pressure.

⁴ Plasticizing capacity(GPPS):GB standard,with application of GPPS plasticizing capacity of 3-zone screws.

⁵ Plasticizing capacity(HDPE):Euromap 19.with application of HDPE plasticizing capacity of barrier screws.

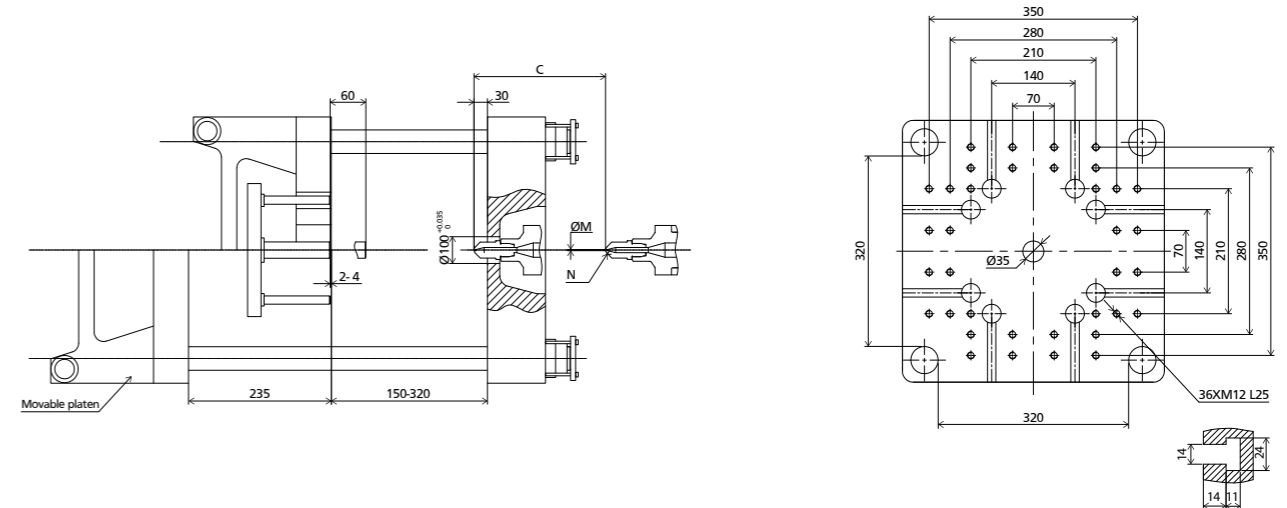
This parameter table is based on machine standard configuration;
We reserve the right to make changes as a result of further technical advances.

MACHINE DIMENSIONS

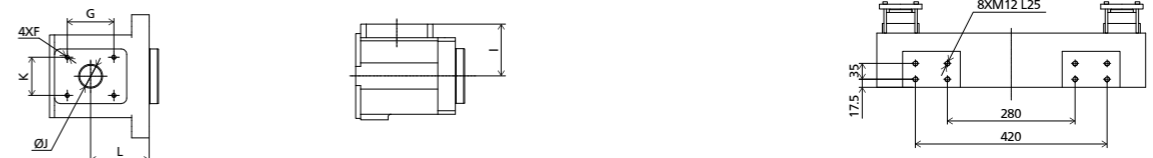


	A	B	C	D	E	F	G	H	I	J	K	L	M	N
50h,50	3512	479	290	199	1510	4×M8 L10	70	1788	110	40	85	59	Ø2	SR10
80h,80	3652	579	290	184	1510	4×M8 L10	70	1773	95	40	85	99.5	Ø2.2	SR10

PLATEN DIMENSIONS



OTHERS DIMENSIONS



HOPPER MOUNTING DIMENSION

ROBOT TOP VIEW FIXED PLATEN

TECHNICAL DATA VE600 V

CLAMPING UNIT	Clamping force	kN	600					
	Mold opening stroke	mm	270					
	Mold height min.	mm	150					
	Mold height max.	mm	370					
	Total daylight max.	mm	640					
	Dist. Between tie-bars (H×V)	mm	370×370					
	Size of mold platen (H×V)	mm	510×510					
Mold dimension min.	mm	240×240						
Ejector stroke	mm	80						
Ejector force	kN	19.6						
INJECTION UNIT			A	B	C	A	B	C
	Screw diameter	mm	19	22	26	22	26	30
	Screw L/D ratio	L/D	21	22	18	22	22	19
	Injection volume (theoretical) ¹	cm ³	21	36	50	36	58	77
	Injection weight (PS) ²	g	19.1	32.8	45.5	32.8	52	70
	Injection pressure ³	MPa	260	220	157	280	220	165
		bar	2600	2200	1570	2800	2200	1650
	Holding pressure ³	MPa	208	175	125	220	160	120
		bar	2080	1750	1250	2200	1600	1200
	Screw speed	rpm	400			400		
Plasticizing rate (GPPS) ⁴	g/s	3.8	6	8	6	8.8	13	
Plasticizing rate (HDPE) ⁵	g/s	-	-	-	-	-	-	
Nozzle contact force	kN	9.8			14.7			
INJECTION UNIT		80			120			
Injection speed	mm/s	200			200			
Injection rate (PS)	g/s	49	66	92	66	92	123	
INJECTION UNIT		80h			120h			
Injection speed	mm/s	350			350			
Injection rate (PS)	g/s	86	116	162	116	162	216	
OTHERS	Connection power	kW/A	80:11/19 80h:13/22			120:12/21 120h:16/28		
	Heating power	kW	4.5	5.7	5.7	6	7.8	7.8
	Machine dimension	m	4.09×1.19×1.96			4.09×1.19×1.96		
	Machine weight	t	-			-		
Hopper capacity (OP)	l	15			15			

NOTE: ¹ Shot volume is the theoretical value which equals to cross section area of screw cylinder or barrel plunger × screw stroke.

² Shot weight (PS) is the theoretical value of shot volume melt density of PS. It is not a measured value.

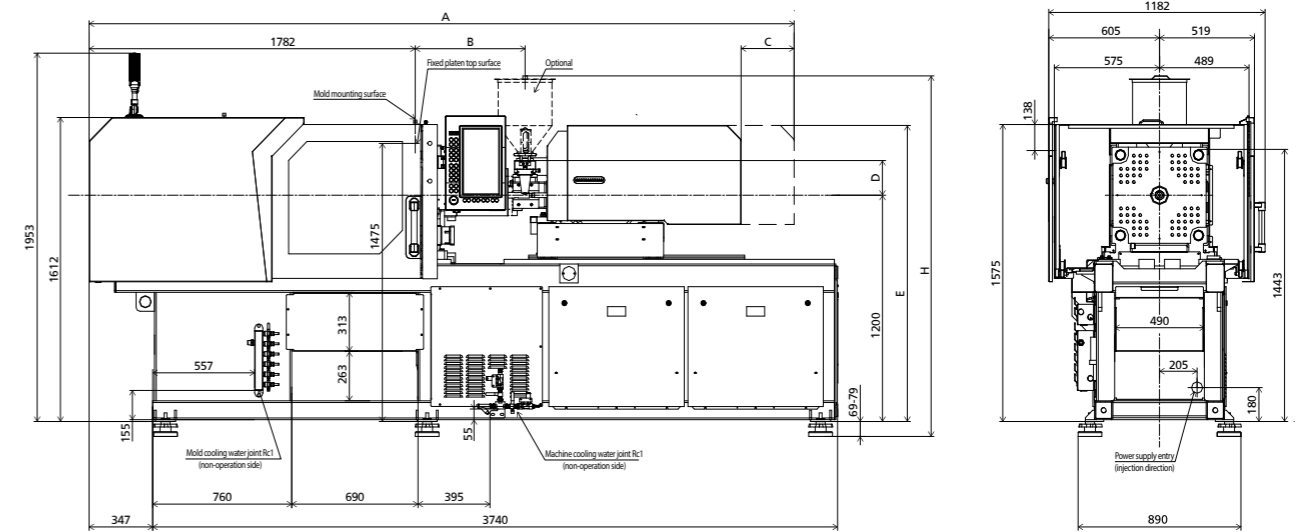
³ Injection & holding pressure are theoretical values of machine output, not the actual resin pressure.

⁴ Plasticizing capacity(GPPS):GB standard,with application of GPPS plasticizing capacity of 3-zone screws.

⁵ Plasticizing capacity(HDPE):Euromap 19,with application of HDPE plasticizing capacity of barrier screws.

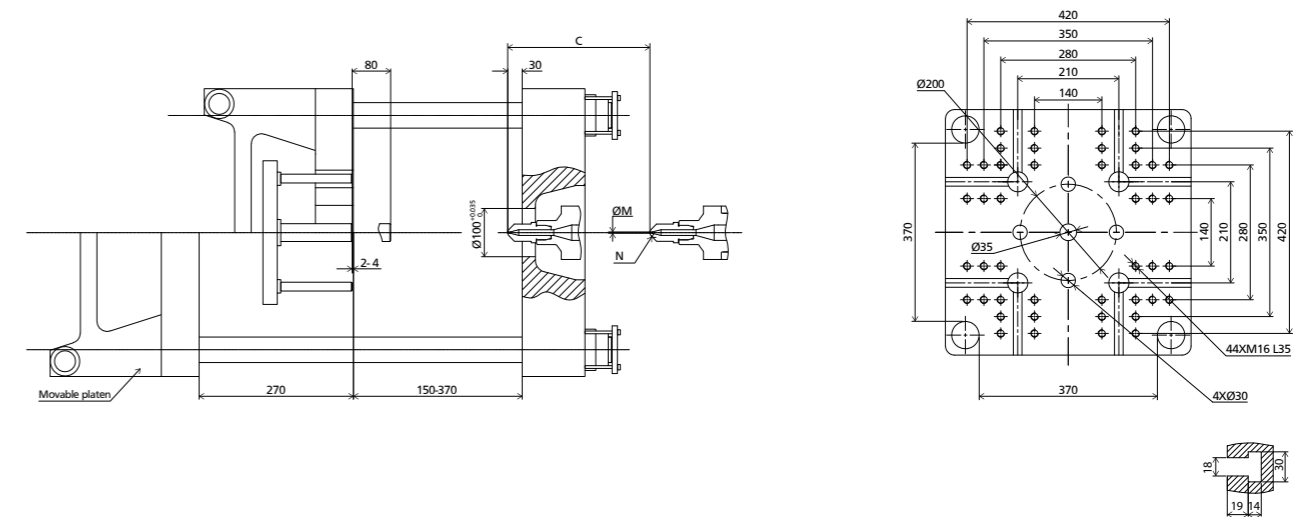
This parameter table is based on machine standard configuration;
We reserve the right to make changes as a result of further technical advances.

MACHINE DIMENSIONS

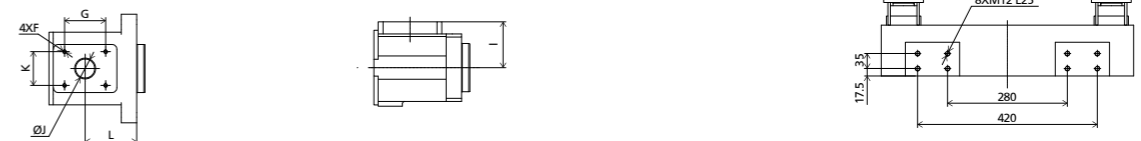


	A	B	C	D	E	F	G	H	I	J	K	L	M	N
80h,80	3844	579	290	184	1570	4×M8 L10	70	1833	95	40	85	99.5	Ø2.2	SR10
120h,120	3964	691	290	184	1570	4×M8 L12	70	1912	95	45	85	107	Ø2.5	SR10

PLATEN DIMENSIONS



OTHERS DIMENSIONS



HOPPER MOUNTING DIMENSION

ROBOT TOP VIEW FIXED PLATEN

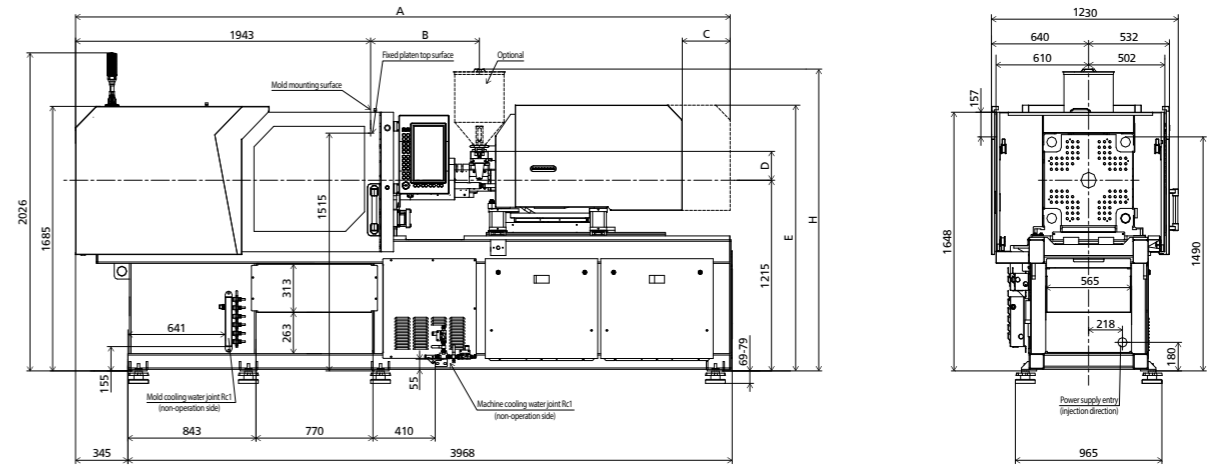
TECHNICAL DATA VE900 V

CLAMPING UNIT	Clamping force	kN	900													
	Mold opening stroke	mm	320													
	Mold height min.	mm	150													
	Mold height max.	mm	410													
	Total daylight max.	mm	730													
	Dist. Between tie-bars (H×V)	mm	420×420													
	Size of mold platen (H×V)	mm	580×580													
Mold dimension min.	mm	270×270														
Ejector stroke	mm	80														
Ejector force	kN	19.6														
INJECTION UNIT			A	B	C	A	B	C	AA	A	B	C				
	Screw diameter	mm	22	26	30	26	28	30	26	28	32	36				
	Screw L/D ratio	L/D	22	22	19	22	21	19	21	21	21	18.6				
	Injection volume (theoretical) ¹	cm ³	36	58	77	58	67	77	61	70	100	127				
	Injection weight (PS) ²	g	32.8	52	70	52	61	70	55	64	91	115				
	Injection pressure ³	MPa	280	220	165	260	220	192	280	260	200	160				
		bar	2800	2200	1650	2600	2200	1920	2800	2600	2000	1600				
	Holding pressure ³	MPa	220	160	120	160	138	120	224	206	160	126				
		bar	2200	1600	1200	1600	1380	1200	2240	2060	1600	1260				
	Screw speed	rpm	400			400			400							
	Plasticizing rate (GPPS) ⁴	g/s	6	8.8	13	8.8	11	13	8.5	11	16	19.4				
	Plasticizing rate (HDPE) ⁵	g/s	-	-	-	-	-	-	-	-	-	-				
Nozzle contact force	kN	14.7			19.6			19.6								
INJECTION UNIT		120			160			210								
Injection speed	mm/s	200			200			200								
Injection rate (PS)	g/s	66	92	123	92	107	123	92	107	140	177					
INJECTION UNIT		120h			160h			210h								
Injection speed	mm/s	350			350			350								
Injection rate (PS)	g/s	116	162	216	162	188	216	162	188	245	311					
OTHERS	Connection power	kW/A	120:12/21 120h:16/28			160:14/24 160h:18/30			210:16/26 210h:21/36							
	Heating power	kW	6	7.8	7.8	7.5	7.5	7.5	6.9	7.8	9.2	9.2				
	Machine dimension	m	4.33×1.23×2.03			4.33×1.23×2.03			4.39×1.23×2.03							
	Machine weight	t	-			-			-							
Hopper capacity (OP)	l	15			15			25								

NOTE: ¹ Shot volume is the theoretical value which equals to cross section area of screw cylinder or barrel plunger × screw stroke.
² Shot weight (PS) is the theoretical value of shot volume melt density of PS. It is not a measured value.
³ Injection & holding pressure are theoretical values of machine output, not the actual resin pressure.
⁴ Plasticizing capacity(GPPS):GB standard, with application of GPPS plasticizing capacity of 3-zone screws.
⁵ Plasticizing capacity(HDPE):Euromap 19, with application of HDPE plasticizing capacity of barrier screws.

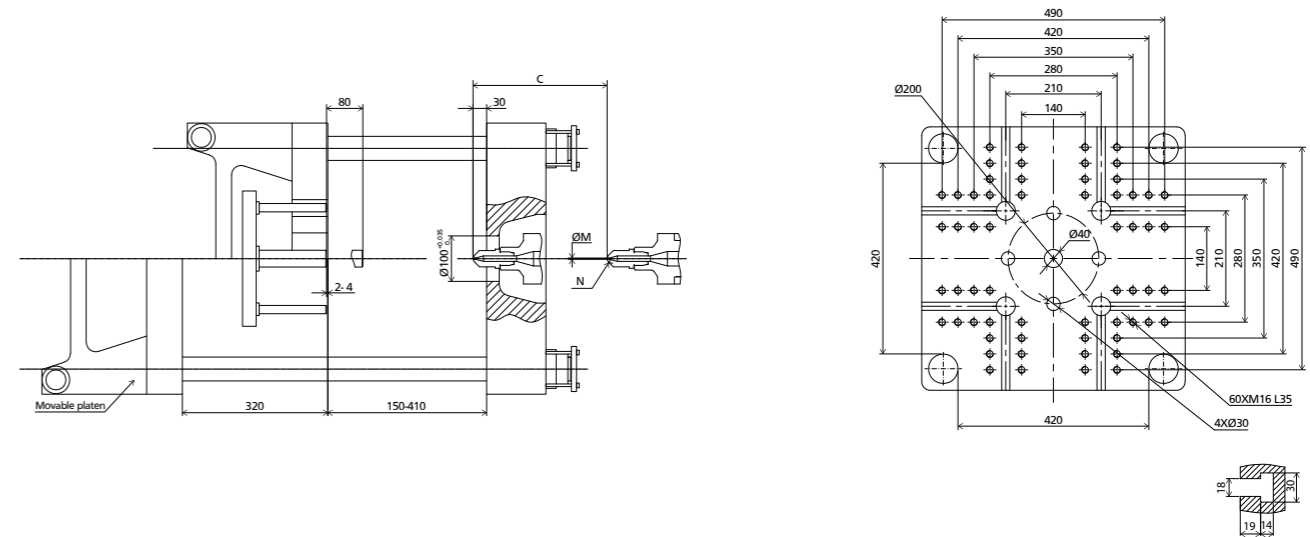
This parameter table is based on machine standard configuration;
 We reserve the right to make changes as a result of further technical advances.

MACHINE DIMENSIONS

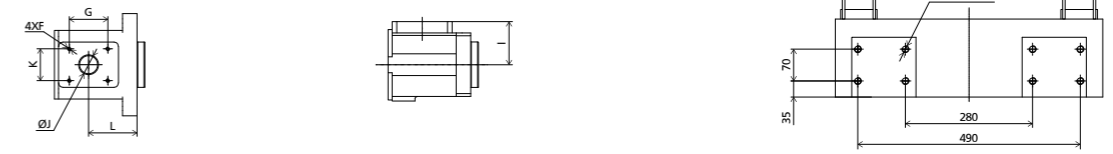


	A	B	C	D	E	F	G	H	I	J	K	L	M	N
120h,120	4135	691	300	184	1585	4×M8 L12	70	1927	95	45	85	107	Ø2.5	SR10
160h,160	4251	691	300	184	1693	4×M8 L12	70	1923	95	45	85	88	Ø2.5	SR10
210h,210	4386	792	315	184	1693	4×M8 L12	70	1923	95	50	85	107	Ø2.5	SR10

PLATEN DIMENSIONS



OTHERS DIMENSIONS



HOPPER MOUNTING DIMENSION

ROBOT TOP VIEW FIXED PLATEN



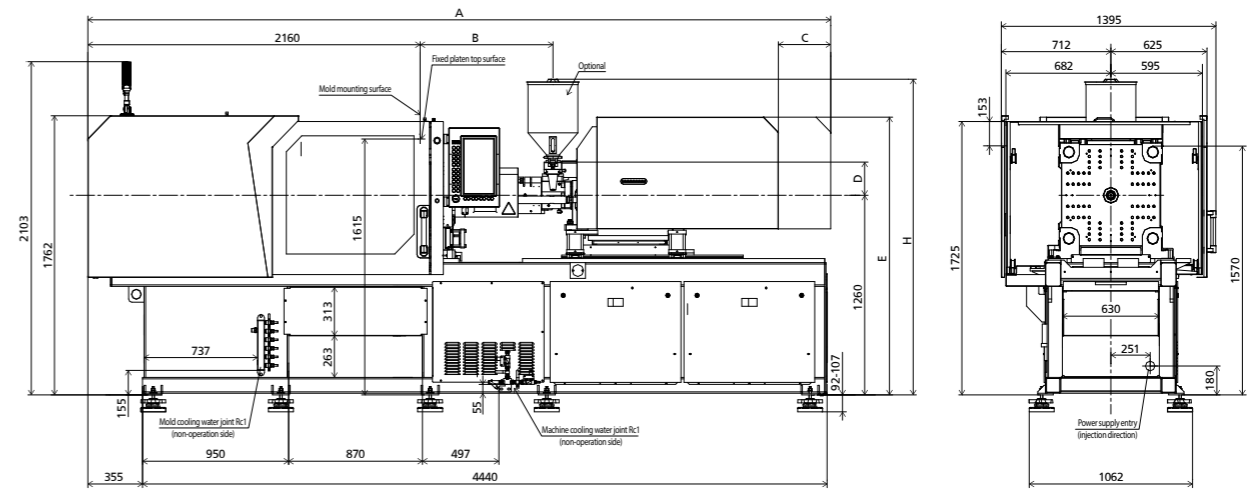
TECHNICAL DATA VE1200 V

CLAMPING UNIT	Clamping force	kN	1200													
	Mold opening stroke	mm	360													
	Mold height min.	mm	150													
	Mold height max.	mm	480													
	Total daylight max.	mm	840													
	Dist. Between tie-bars (H×V)	mm	470×470													
	Size of mold platen (H×V)	mm	640×640													
Mold dimension min.	mm	305×305														
Ejector stroke	mm	100														
Ejector force	kN	29.4														
INJECTION UNIT			A	B	C	AA	A	B	C	AA	A	B	C	A	B	C
	Screw diameter	mm	26	28	30	26	28	32	36	30	32	36	40	36	40	45
	Screw L/D ratio	L/D	22	21	19	21	21	21	18.6	21	22.5	20	18	23.3	21	18.7
	Injection volume (theoretical) ¹	cm ³	58	67	77	61	70	100	127	102	116	147	182	173	213	270
	Injection weight (PS) ²	g	52	61	70	55	64	91	115	92	106	134	165	157	194	246
	Injection pressure ³	MPa	260	220	192	280	260	200	160	280	253	200	162	247	200	158
		bar	2600	2200	1920	2800	2600	2000	1600	2800	2530	2000	1620	2470	2000	1580
	Holding pressure ³	MPa	160	138	120	224	206	160	126	224	202	160	130	197	160	126
		bar	1600	1380	1200	2240	2060	1600	1260	2240	2020	1600	1300	1970	1600	1260
	Screw speed	rpm	400			400			400			400				
	Plasticizing rate (GPPS) ⁴	g/s	8.8	11	13	8.5	11	16	19.4	13.3	16.6	20.1	27.7	22	30	42
	Plasticizing rate (HDPE) ⁵	g/s	-	-	-	-	-	-	-	-	-	-	-	-	-	-
Nozzle contact force	kN	19.6			19.6			24.5			29.4					
INJECTION UNIT		160			210			300			430(OP)					
Injection speed	mm/s	200			200			200			200					
Injection rate (PS)	g/s	92	107	123	92	107	140	177	123	140	177	219	177	219	277	
INJECTION UNIT		160h			210h			300h			430h(OP)					
Injection speed	mm/s	350			350			300			300					
Injection rate (PS)	g/s	162	188	216	162	188	245	311	185	210	266	329	266	329	416	
OTHERS	Connection power	kW/A	160:14/24 160h:18/30			210:16/26 210h:21/36			300:20/34 300h:26/43			430:27/45 430h:31/52				
	Heating power	kW	7.5	7.5	7.5	6.9	7.8	9.2	9.2	10.3	11.9	11.9	11.9	13.5		
	Machine dimension	m	4.81×1.36×2.11			4.81×1.36×2.11			4.83×1.36×2.11			5.28×1.36×2.11				
	Machine weight	t	-			-			-			-				
Hopper capacity (OP)	l	15			25			25			25					

NOTE: ¹ Shot volume is the theoretical value which equals to cross section area of screw cylinder or barrel plunger × screw stroke.
² Shot weight (PS) is the theoretical value of shot volume melt density of PS. It is not a measured value.
³ Injection & holding pressure are theoretical values of machine output, not the actual resin pressure.
⁴ Plasticizing capacity(GPPS):GB standard, with application of GPPS plasticizing capacity of 3-zone screws.
⁵ Plasticizing capacity(HDPE):Euromap 19, with application of HDPE plasticizing capacity of barrier screws.

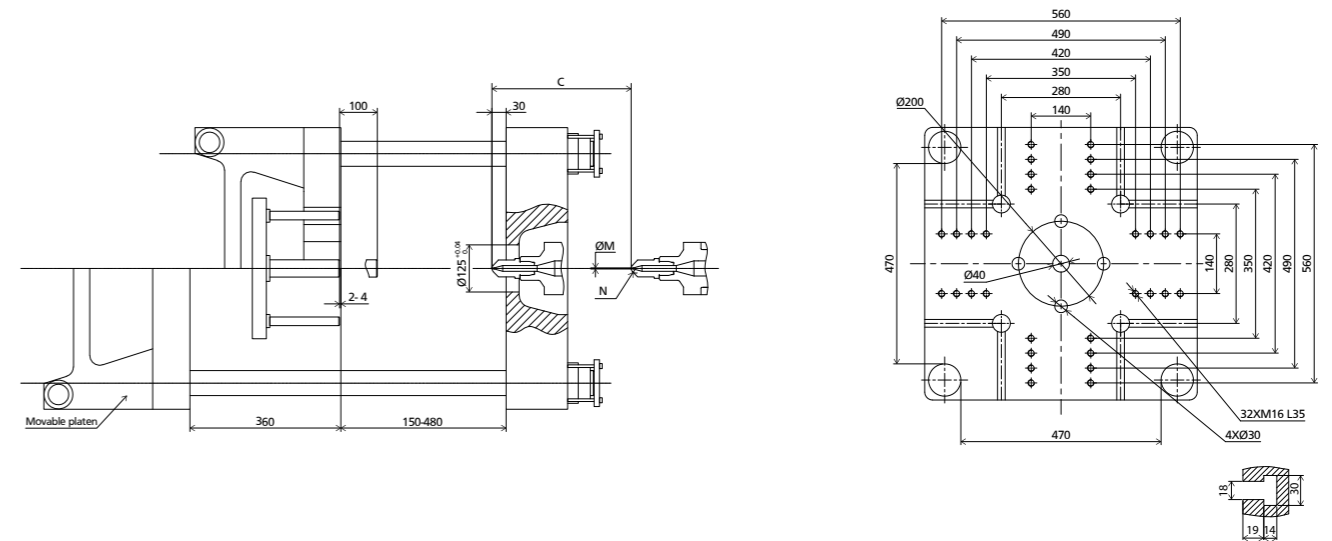
This parameter table is based on machine standard configuration;
 We reserve the right to make changes as a result of further technical advances.

MACHINE DIMENSIONS

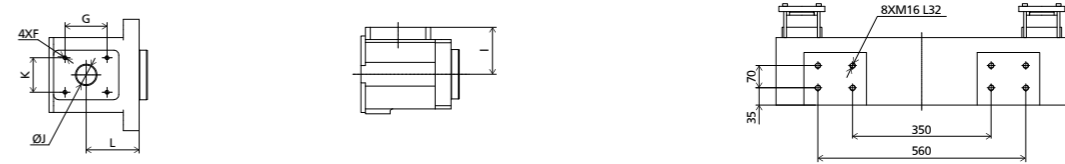


	A	B	C	D	E	F	G	H	I	J	K	L	M	N
160h,160	4468	691	300	184	1738	4×M8 L12	70	1968	95	45	85	88	Ø2.5	SR10
210h,210	4603	792	315	184	1738	4×M8 L12	70	1968	95	50	85	107	Ø2.5	SR10
300h,300	4825	859	340	209	1753	4×M8 L12	70	1993	120	55	85	122	Ø2.5	SR10
430h,430	5278	1008	360	224	1833	4×M8 L10	70	2008	135	65	85	104	Ø3	SR10

PLATEN DIMENSIONS



OTHERS DIMENSIONS



HOPPER MOUNTING DIMENSION

ROBOT TOP VIEW FIXED PLATEN



TECHNICAL DATA VE1500 V

		CLAMPING UNIT													
		AA			A			B			C				
Clamping force	kN	1500													
Mold opening stroke	mm	420													
Mold height min.	mm	180													
Mold height max.	mm	520													
Total daylight max.	mm	940													
Dist. Between tie-bars (H×V)	mm	520×520													
Size of mold platen (H×V)	mm	740×740													
Mold dimension min.	mm	335×335													
Ejector stroke	mm	120													
Ejector force	kN	34.3													
		AA			A			B			C				
Screw diameter	mm	26	28	32	36	30	32	36	40	36	40	45	40	45	50
Screw L/D ratio	L/D	21	21	21	18.6	21	22.5	20	18	23.3	21	18.7	22.5	20	18
Injection volume (theoretical) ¹	cm ³	61	70	100	127	102	116	147	182	173	213	270	252	319	394
Injection weight (PS) ²	g	55	64	91	115	92	106	134	165	157	194	246	229	290	358
Injection pressure ³	MPa	280	260	200	160	280	253	200	162	247	200	158	253	200	162
	bar	2800	2600	2000	1600	2800	2530	2000	1620	2470	2000	1580	2530	2000	1620
Holding pressure ³	MPa	224	206	160	126	224	202	160	130	197	160	126	202	160	130
	bar	2240	2060	1600	1260	2240	2020	1600	1300	1970	1600	1260	2020	1600	1300
Screw speed	rpm	400			400			400			350				
Plasticizing rate (GPPS) ⁴	g/s	8.5	11	16	19.4	13.3	16.6	20.1	27.7	22	30	42	27	39	50
Plasticizing rate (HDPE) ⁵	g/s	-	-	-	-	-	-	-	-	-	-	-	-	-	-
Nozzle contact force	kN	19.6			24.5			29.4			39.2				
INJECTION UNIT		210			300			430			640(OP)				
Injection speed	mm/s	200			200			200			160				
Injection rate (PS)	g/s	92	107	140	177	123	140	177	219	177	219	277	175	222	274
INJECTION UNIT		210h			300h			430h			640h(OP)				
Injection speed	mm/s	350			300			300			250				
Injection rate (PS)	g/s	162	188	245	311	185	210	266	329	266	329	416	274	347	428
Connection power	kW/A	210:16/26 210h:21/36			300:20/34 300h:26/43			430:27/45 430h:31/52			640:28/47 640h:32/53				
Heating power	kW	6.9	7.8	9.2	9.2	10.3	11.9	11.9	11.9	13.5			14.8		
Machine dimension	m	5.26×1.41×2.21			5.26×1.41×2.21			5.58×1.41×2.21			5.71×1.41×2.21				
Machine weight	t	-			-			-			-				
Hopper capacity (OP)	l	25			25			25			25				

NOTE: ¹ Shot volume is the theoretical value which equals to cross section area of screw cylinder or barrel plunger × screw stroke.

² Shot weight (PS) is the theoretical value of shot volume melt density of PS. It is not a measured value.

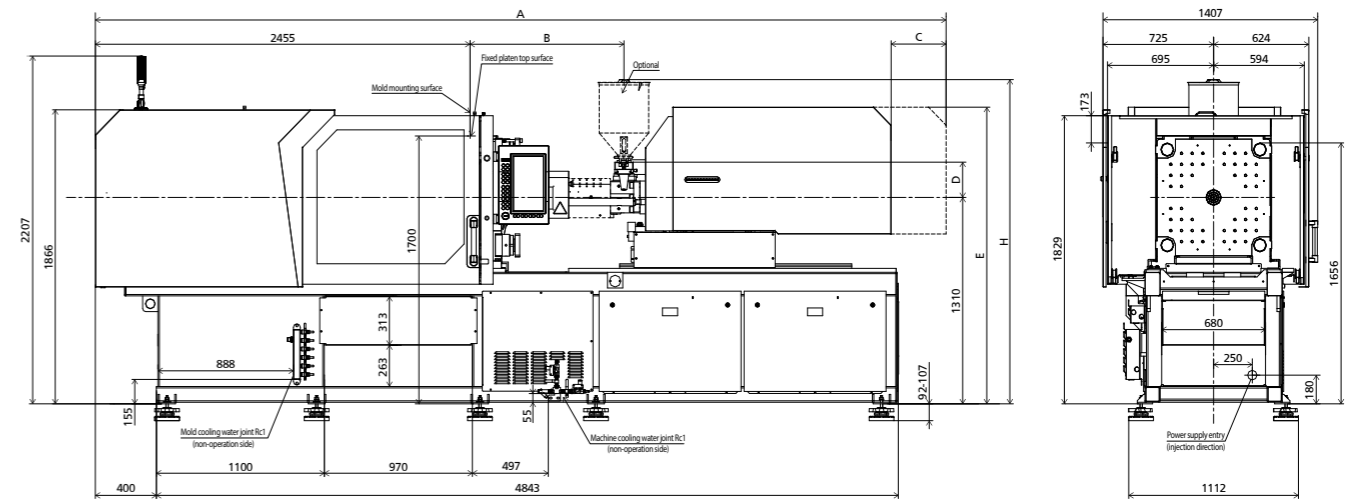
³ Injection & holding pressure are theoretical values of machine output, not the actual resin pressure.

⁴ Plasticizing capacity(GPPS):GB standard, with application of GPPS plasticizing capacity of 3-zone screws.

⁵ Plasticizing capacity(HDPE):Euromap 19, with application of HDPE plasticizing capacity of barrier screws.

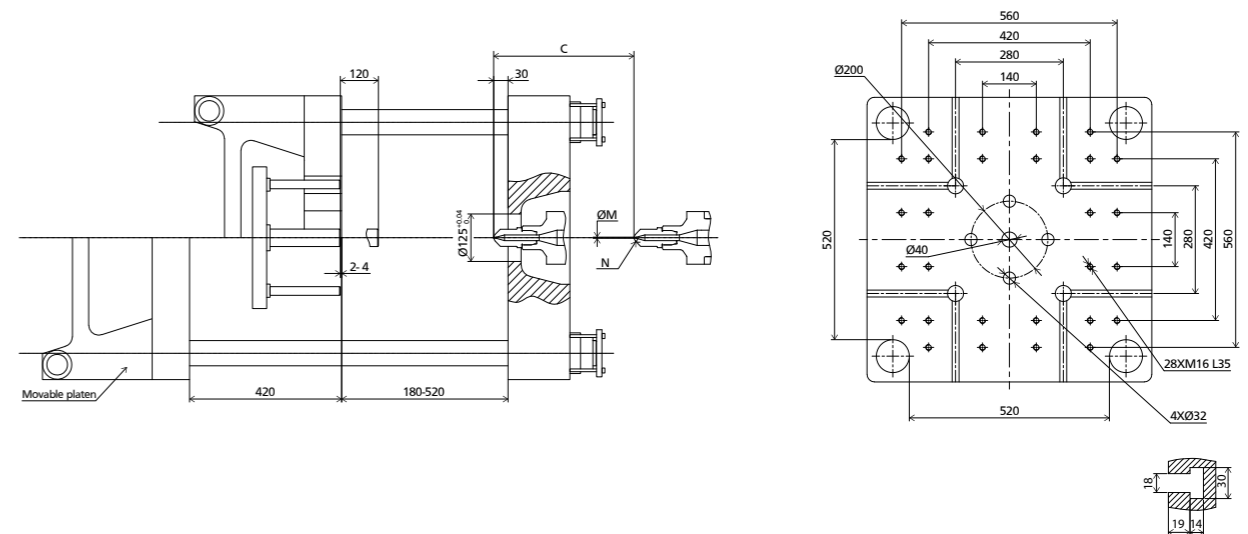
This parameter table is based on machine standard configuration;
We reserve the right to make changes as a result of further technical advances.

MACHINE DIMENSIONS

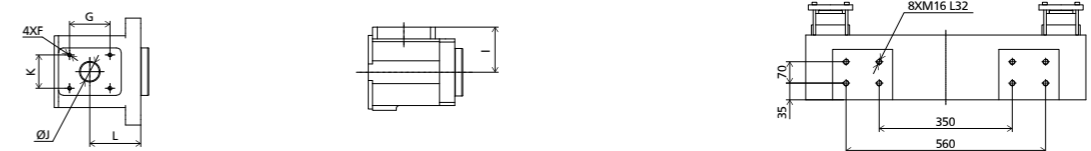


	A	B	C	D	E	F	G	H	I	J	K	L	M	N
210h,210	4898	792	315	184	1788	4×M8 L12	70	2018	95	50	85	107	Ø2.5	SR10
300h,300	5120	859	340	209	1803	4×M8 L12	70	2043	120	55	85	122	Ø2.5	SR10
430h,430	5573	1008	360	224	1883	4×M8 L10	70	2058	135	65	85	104	Ø3	SR10
640h,640	5701	1068	390	214	1883	4×M8 L10	70	2048	125	65	85	141.5	Ø3	SR10

PLATEN DIMENSIONS



OTHERS DIMENSIONS



HOPPER MOUNTING DIMENSION

ROBOT TOP VIEW FIXED PLATEN

TECHNICAL DATA VE1900 V

CLAMPING UNIT	Clamping force	kN	1900															
	Mold opening stroke	mm	470															
	Mold height min.	mm	200															
	Mold height max.	mm	550															
	Total daylight max.	mm	1020															
	Dist. Between tie-bars (H×V)	mm	570×570															
INJECTION UNIT	Size of mold platen (H×V)	mm	800×800															
	Mold dimension min.	mm	370×370															
	Ejector stroke	mm	130															
	Ejector force	kN	44.1															
			AA	A	B	C	A	B	C	A	B	C	A	B	C			
	Screw diameter	mm	30	32	36	40	36	40	45	40	45	50	45	50	55			
	Screw L/D ratio	L/D	21	22.5	20	18	23.3	21	18.7	22.5	20	18	22.2	20	18			
	Injection volume (theoretical) ¹	cm ³	102	116	147	182	173	213	270	252	319	394	333	412	498			
	Injection weight (PS) ²	g	92	106	134	165	157	194	246	229	290	358	304	375	454			
	Injection pressure ³	MPa	280	253	200	162	247	200	158	253	200	162	247	200	165			
		bar	2800	2530	2000	1620	2470	2000	1580	2530	2000	1620	2470	2000	1650			
	Holding pressure ³	MPa	224	202	160	130	197	160	126	202	160	130	197	160	132			
	bar	2240	2020	1600	1300	1970	1600	1260	2020	1600	1300	1970	1600	1320				
Screw speed	rpm	400			400			350			320							
Plasticizing rate (GPPS) ⁴	g/s	13.3	16.6	20.1	27.7	22	30	42	27	39	50	35	46	60				
Plasticizing rate (HDPE) ⁵	g/s	-	-	-	-	-	-	-	-	-	-	-	-	-				
Nozzle contact force	kN	24.5			29.4			39.2			49							
INJECTION UNIT		300			430			640			830(OP)							
Injection speed	mm/s	200			200			160			160							
Injection rate (PS)	g/s	123	140	177	219	177	219	277	175	222	274	222	274	332				
INJECTION UNIT		300h			430h			640h			830h(OP)							
Injection speed	mm/s	300			300			250			250							
Injection rate (PS)	g/s	185	210	266	329	266	329	416	274	347	428	347	428	518				
OTHERS	Connection power	kW/A	300:20/34 300h:26/43			430:27/45 430h:31/52			640:28/47 640h:32/53			830:34/58 830h:38/65						
	Heating power	kW	10.3	11.9	11.9	11.9	13.5			14.8			20.2					
	Machine dimension	m	5.90×1.52×2.29				5.90×1.52×2.29				5.99×1.52×2.29				6.30×1.52×2.29			
	Machine weight	t	-															
Hopper capacity (OP)	l	25			25			25			50							

NOTE: ¹ Shot volume is the theoretical value which equals to cross section area of screw cylinder or barrel plunger × screw stroke.

² Shot weight (PS) is the theoretical value of shot volume melt density of PS. It is not a measured value.

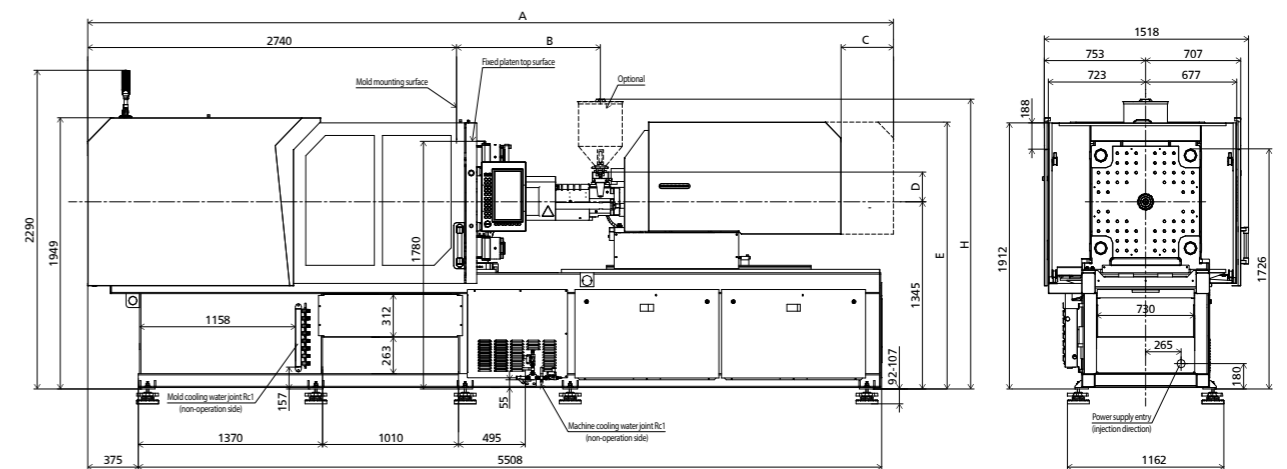
³ Injection & holding pressure are theoretical values of machine output, not the actual resin pressure.

⁴ Plasticizing capacity(GPPS):GB standard,with application of GPPS plasticizing capacity of 3-zone screws.

⁵ Plasticizing capacity(HDPE):Euromap 19.with application of HDPE plasticizing capacity of barrier screws.

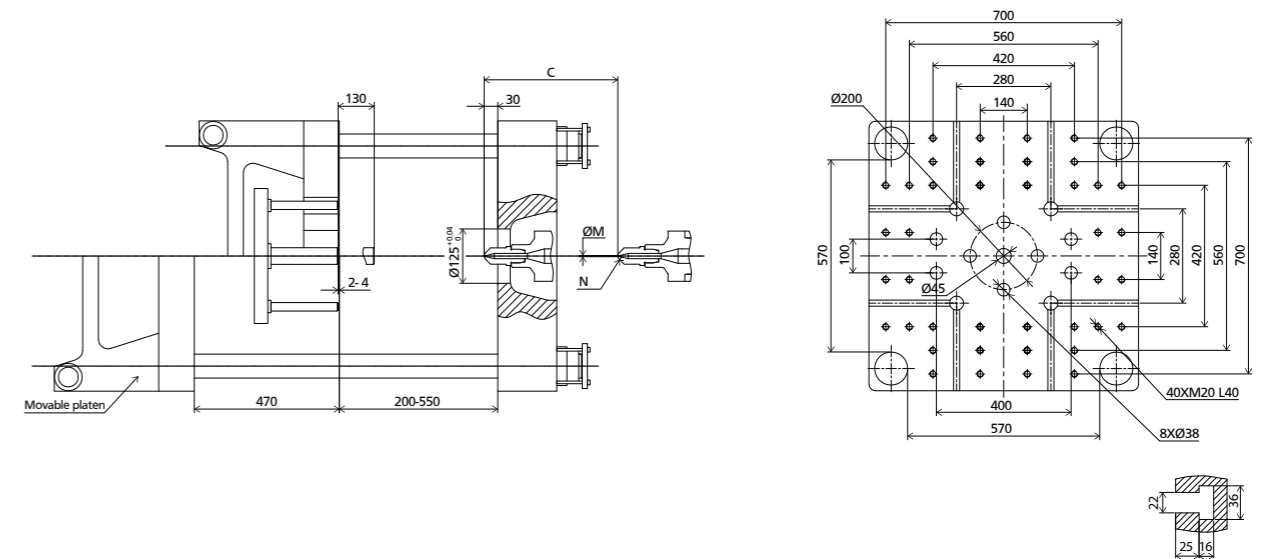
This parameter table is based on machine standard configuration;
We reserve the right to make changes as a result of further technical advances.

MACHINE DIMENSIONS

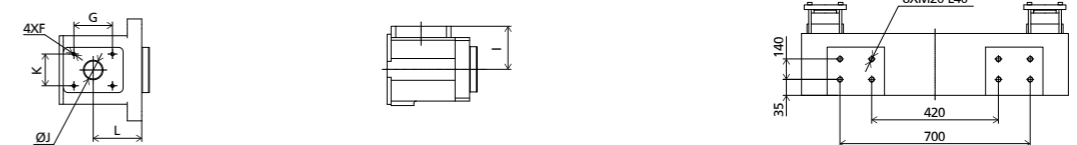


	A	B	C	D	E	F	G	H	I	J	K	L	M	N
300h,300	5425	859	360	209	1838	4×M8 L12	70	2078	120	55	85	122	Ø2.5	SR10
430h,430	5888	1008	390	224	1918	4×M8 L10	70	2093	135	65	85	104	Ø3	SR10
640h,640	5986	1068	390	214	1918	4×M8 L10	70	2083	125	65	85	141.5	Ø3	SR10
830h,830	6299	1181	450	255	2056	4×M10 L20	115	2203	153	65	115	122.5	Ø3	SR10

PLATEN DIMENSIONS



OTHERS DIMENSIONS



HOPPER MOUNTING DIMENSION

ROBOT TOP VIEW FIXED PLATEN

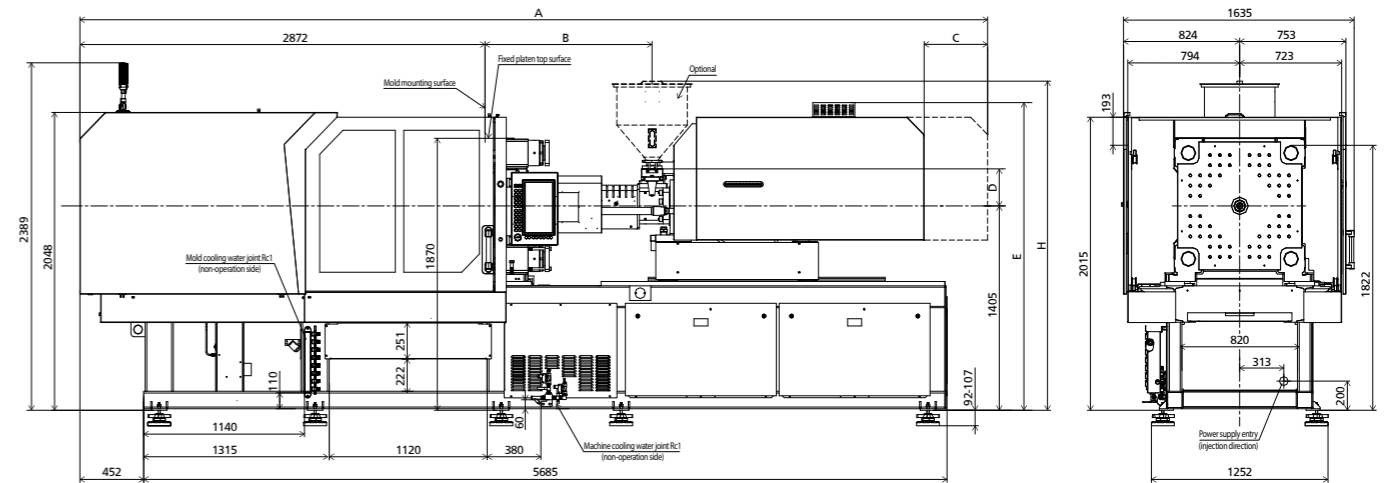
TECHNICAL DATA VE2300 V

CLAMPING UNIT	Clamping force	kN	2300											
	Mold opening stroke	mm	550											
	Mold height min.	mm	220											
	Mold height max.	mm	600											
	Total daylight max.	mm	1150											
	Dist. Between tie-bars (H×V)	mm	620×620											
	Size of mold platen (H×V)	mm	880×880											
Mold dimension min.	mm	400×400												
Ejector stroke	mm	150												
Ejector force	kN	49												
INJECTION UNIT			A	B	C	A	B	C	A	B	C	A	B	C
	Screw diameter	mm	36	40	45	40	45	50	45	50	55	50	55	60
	Screw L/D ratio	L/D	23.3	21	18.7	22.5	20	18	22.2	20	18	22	20	18.3
	Injection volume (theoretical) ¹	cm ³	173	213	270	252	319	394	333	412	498	471	570	678
	Injection weight (PS) ²	g	157	194	246	229	290	358	304	375	454	428	518	617
	Injection pressure ³	MPa	247	200	158	253	200	162	247	200	165	218	180	151
		bar	2470	2000	1580	2530	2000	1620	2470	2000	1650	2180	1800	1510
	Holding pressure ³	MPa	197	160	126	202	160	130	197	160	132	194	160	134
		bar	1970	1600	1260	2020	1600	1300	1970	1600	1320	1940	1600	1340
	Screw speed	rpm	400			350			320			320		
	Plasticizing rate (GPPS) ⁴	g/s	22	30	42	27	39	50	35	46	60	52	64	75
	Plasticizing rate (HDPE) ⁵	g/s	-	-	-	-	-	-	-	-	-	-	-	-
	Nozzle contact force	kN	29.4			39.2			49			54		
INJECTION UNIT		430			640			830			1100(OP)			
Injection speed	mm/s	200			160			160			160			
Injection rate (PS)	g/s	177	219	277	175	222	274	222	274	332	274	332	395	
INJECTION UNIT		430h			640h			830h			1100h(OP)			
Injection speed	mm/s	300			250			250			250			
Injection rate (PS)	g/s	266	329	416	274	347	428	347	428	518	428	518	617	
OTHERS	Connection power	kW/A	430:27/45 430h:31/52			640:28/47 640h:32/53			830:34/58 830h:38/65			1100:44/74 1100h:44/74		
	Heating power	kW	13.5			14.8			20.2			23		
	Machine dimension	m	6.15×1.64×2.39			6.15×1.64×2.39			6.44×1.64×2.39			6.71×1.64×2.39		
	Machine weight	t	-			-			-			-		
Hopper capacity (OP)	l	25			25			50			50			

NOTE: ¹ Shot volume is the theoretical value which equals to cross section area of screw cylinder or barrel plunger × screw stroke.
² Shot weight (PS) is the theoretical value of shot volume melt density of PS. It is not a measured value.
³ Injection & holding pressure are theoretical values of machine output, not the actual resin pressure.
⁴ Plasticizing capacity(GPPS):GB standard, with application of GPPS plasticizing capacity of 3-zone screws.
⁵ Plasticizing capacity(HDPE):Euromap 19, with application of HDPE plasticizing capacity of barrier screws.

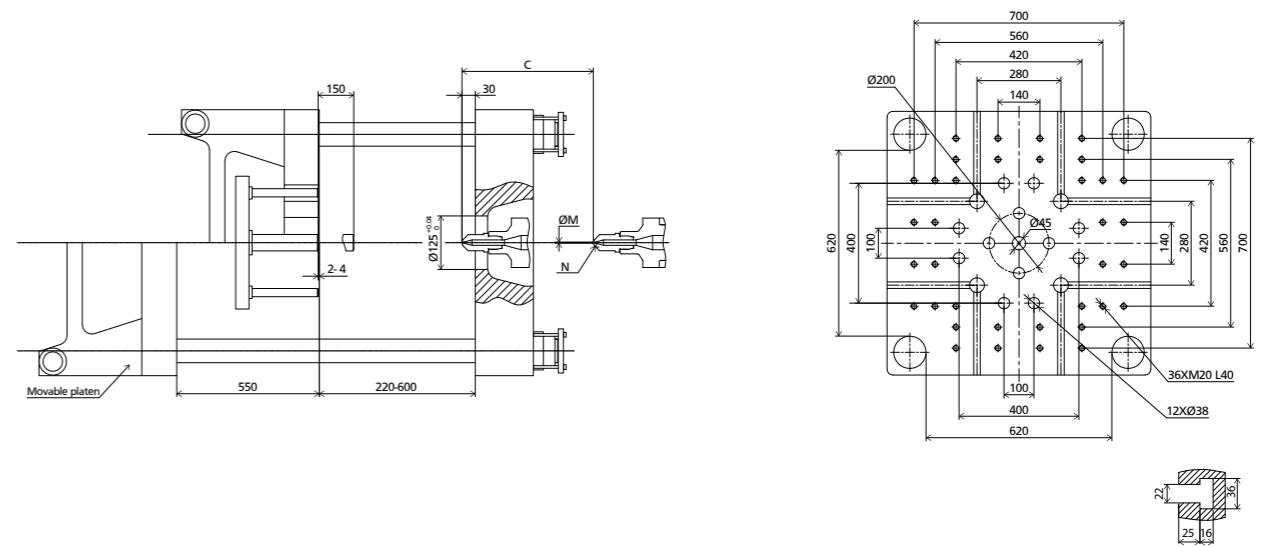
This parameter table is based on machine standard configuration;
 We reserve the right to make changes as a result of further technical advances.

MACHINE DIMENSIONS

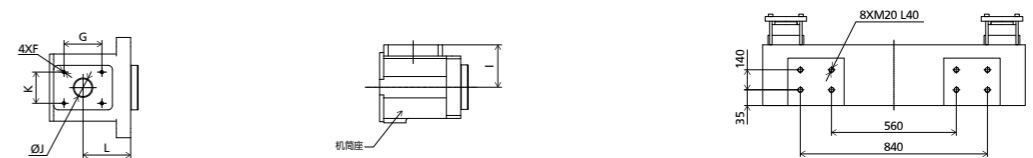


	A	B	C	D	E	F	G	H	I	J	K	L	M	N
430h,430	6020	1008	390	224	1978	4×M8 L10	70	2153	135	65	85	104	Ø3	SR10
640h,640	6128	1068	400	214	1978	4×M8 L10	70	2143	125	65	85	141.5	Ø3	SR10
830h,830	6431	1181	450	255	2116	4×M10 L20	115	2263	153	65	115	122.5	Ø3	SR10
1100H,1100	6707	1295	520	245	2145	4×M10 L20	115	2253	143	82	115	180	Ø3	SR10

PLATEN DIMENSIONS



OTHERS DIMENSIONS



HOPPER MOUNTING DIMENSION

ROBOT TOP VIEW FIXED PLATEN

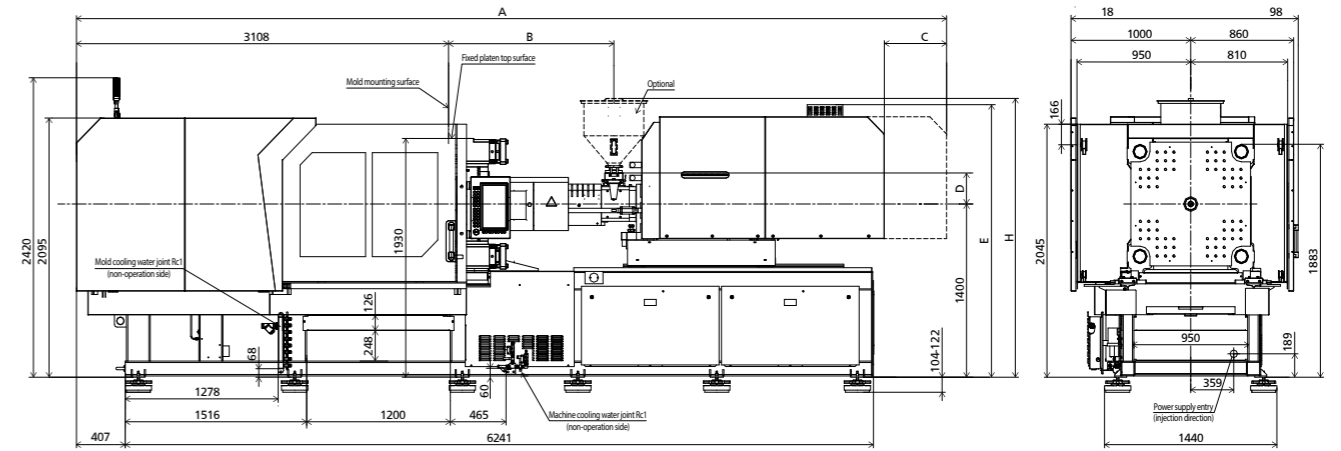
TECHNICAL DATA VE3000 V

CLAMPING UNIT	Clamping force	kN	3000											
	Mold opening stroke	mm	600											
	Mold height min.	mm	280											
	Mold height max.	mm	650											
	Total daylight max.	mm	1250											
	Dist. Between tie-bars (H×V)	mm	730×730											
	Size of mold platen (H×V)	mm	1000×1000											
Mold dimension min.	mm	470×470												
Ejector stroke	mm	160												
Ejector force	kN	58.8												
INJECTION UNIT			A	B	C	A	B	C	A	B	C	A	B	C
	Screw diameter	mm	45	50	55	50	55	60	55	60	65	60	65	70
	Screw L/D ratio	L/D	22.2	20	18	22	20	18.3	21.8	20	18.5	21.6	20	18.6
	Injection volume (theoretical) ¹	cm ³	333	412	498	471	570	678	617	735	862	791	929	1077
	Injection weight (PS) ²	g	304	375	454	428	518	617	562	668	785	720	845	980
	Injection pressure ³	MPa	247	200	165	218	180	151	214	180	153	210	180	155
		bar	2470	2000	1650	2180	1800	1510	2140	1800	1530	2100	1800	1550
	Holding pressure ³	MPa	197	160	132	194	160	134	190	160	136	187	160	138
		bar	1970	1600	1320	1940	1600	1340	1900	1600	1360	1870	1600	1380
	Screw speed	rpm	320			320			300			250		
	Plasticizing rate (GPPS) ⁴	g/s	35	46	60	52	64	75	54	64	71	57	68	72
	Plasticizing rate (HDPE) ⁵	g/s	-	-	-	-	-	-	-	-	-	-	-	-
	Nozzle contact force	kN	49			54			54			54		
INJECTION UNIT		830			1100			1400			1700(OP)			
Injection speed	mm/s	160			160			160			160			
Injection rate (PS)	g/s	222	274	332	274	332	395	332	395	463	395	463	537	
INJECTION UNIT		830h			1100h			1400h			1700h(OP)			
Injection speed	mm/s	250			250			250			250			
Injection rate (PS)	g/s	347	428	518	428	518	617	518	617	724	617	724	840	
OTHERS	Connection power	kW/A	830:34/58 830h:38/65			1100:44/74 1100h:44/74			1400:52/87 1400h:65/109			1700:58/98 1700h:74/125		
	Heating power	kW	20.2			23			29.3			33.1		
	Machine dimension	m	6.67×1.90×2.42			6.95×1.90×2.42			7.03×1.90×2.42			7.51×1.90×2.42		
	Machine weight	t	-			-			-			-		
Hopper capacity (OP)	l	50			50			50			50			

NOTE: ¹ Shot volume is the theoretical value which equals to cross section area of screw cylinder or barrel plunger × screw stroke.
² Shot weight (PS) is the theoretical value of shot volume melt density of PS. It is not a measured value.
³ Injection & holding pressure are theoretical values of machine output, not the actual resin pressure.
⁴ Plasticizing capacity(GPPS):GB standard, with application of GPPS plasticizing capacity of 3-zone screws.
⁵ Plasticizing capacity(HDPE):Euromap 19, with application of HDPE plasticizing capacity of barrier screws.

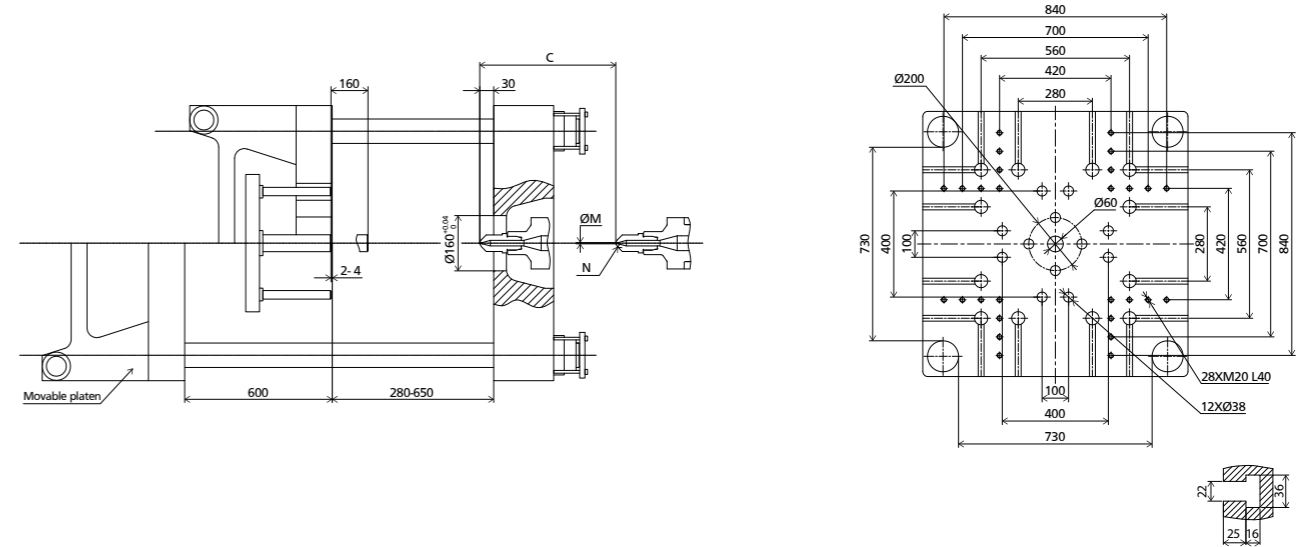
This parameter table is based on machine standard configuration;
 We reserve the right to make changes as a result of further technical advances.

MACHINE DIMENSIONS

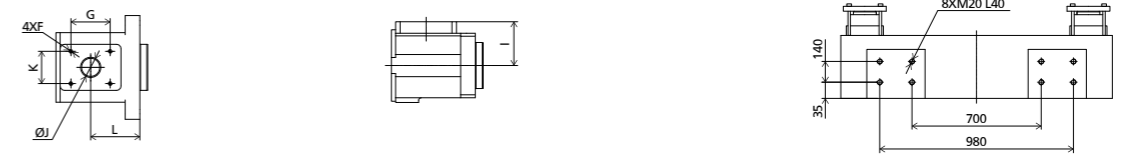


	A	B	C	D	E	F	G	H	I	J	K	L	M	N
830h,830	6667	1181	450	255	2111	4×M10 L20	115	2258	153	65	115	122.5	Ø3	SR10
1100h,1100	6943	1295	520	245	2140	4×M10 L20	115	2248	143	82	115	180	Ø3	SR10
1400h,1400	7021	1383	520	245	2111	4×M10 L20	115	2248	149	82	115	184	Ø3	SR10
1700h,1700	7504	1543	560	250	2203	4×M10 L20	115	2253	148	95	115	222.5	Ø3	SR10

PLATEN DIMENSIONS



OTHERS DIMENSIONS



HOPPER MOUNTING DIMENSION

ROBOT TOP VIEW FIXED PLATEN

TECHNICAL DATA VE4500 V

CLAMPING UNIT	Clamping force	kN	4500											
	Mold opening stroke	mm	800											
	Mold height min.	mm	350											
	Mold height max.	mm	810											
	Total daylight max.	mm	1610											
	Dist. Between tie-bars (H×V)	mm	910×910											
	Size of mold platen (H×V)	mm	1250×1250											
Mold dimension min.	mm	590×590												
Ejector stroke	mm	180												
Ejector force	kN	98												
INJECTION UNIT			A	B	C	A	B	C	A	B	C	A	B	C
	Screw diameter	mm	55	60	65	60	65	70	65	70	80	75	80	90
	Screw L/D ratio	L/D	21.8	20	18.5	21.6	20	18.6	21.5	20	17.5	21.3	20	17.8
	Injection volume (theoretical) ¹	cm ³	617	735	862	791	929	1077	1068	1239	1618	1634	1859	2353
	Injection weight (PS) ²	g	562	668	785	720	845	980	972	1127	1472	1487	1692	2141
	Injection pressure ³	MPa	214	180	153	210	180	155	210	180	138	205	180	142
		bar	2140	1800	1530	2100	1800	1550	2100	1800	1380	2050	1800	1420
	Holding pressure ³	MPa	190	160	136	187	160	138	190	162	124	185	162	128
		bar	1900	1600	1360	1870	1600	1380	1900	1620	1240	1850	1620	1280
	Screw speed	rpm	300			250			240			220		
	Plasticizing rate (GPPS) ⁴	g/s	54	64	71	57	68	72	62	71	88	70	92	105
	Plasticizing rate (HDPE) ⁵	g/s	-	-	-	-	-	-	93	111	132	105	141	165
	Nozzle contact force	kN	54			54			85			85		
	INJECTION UNIT		1400			1700			2250			3350		
Injection speed	mm/s	160			160			160			160			
Injection rate (PS)	g/s	332	395	463	395	463	537	463	537	702	617	702	889	
INJECTION UNIT		1400h			1700h			2250h			-			
Injection speed	mm/s	250			250			250			-			
Injection rate (PS)	g/s	518	617	724	617	724	840	723	839	1097	-	-	-	
OTHERS	Connection power	kW/A	1400:52/87 1400h:65/109			1700:58/98 1700h:74/125			2250:65/109 2250h:89/150			83/138		
	Heating power	kW	29.3			33.1			36.1			42.6		
	Machine dimension	m	8.00×2.15×2.51			8.22×2.15×2.51			8.00×2.15×2.51			8.22×2.15×2.51		
	Machine weight	t	-			-			23.68			-		
	Hopper capacity (OP)	l	50			50			50			100		

NOTE: ¹ Shot volume is the theoretical value which equals to cross section area of screw cylinder or barrel plunger × screw stroke.

² Shot weight (PS) is the theoretical value of shot volume melt density of PS. It is not a measured value.

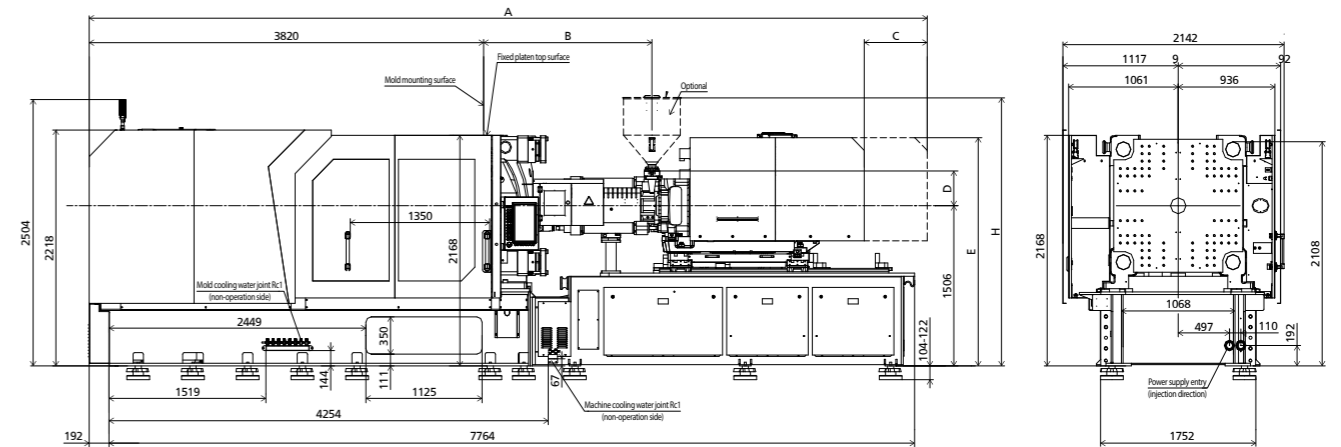
³ Injection & holding pressure are theoretical values of machine output, not the actual resin pressure.

⁴ Plasticizing capacity(GPPS):GB standard, with application of GPPS plasticizing capacity of 3-zone screws.

⁵ Plasticizing capacity(HDPE):Euromap 19, with application of HDPE plasticizing capacity of barrier screws.

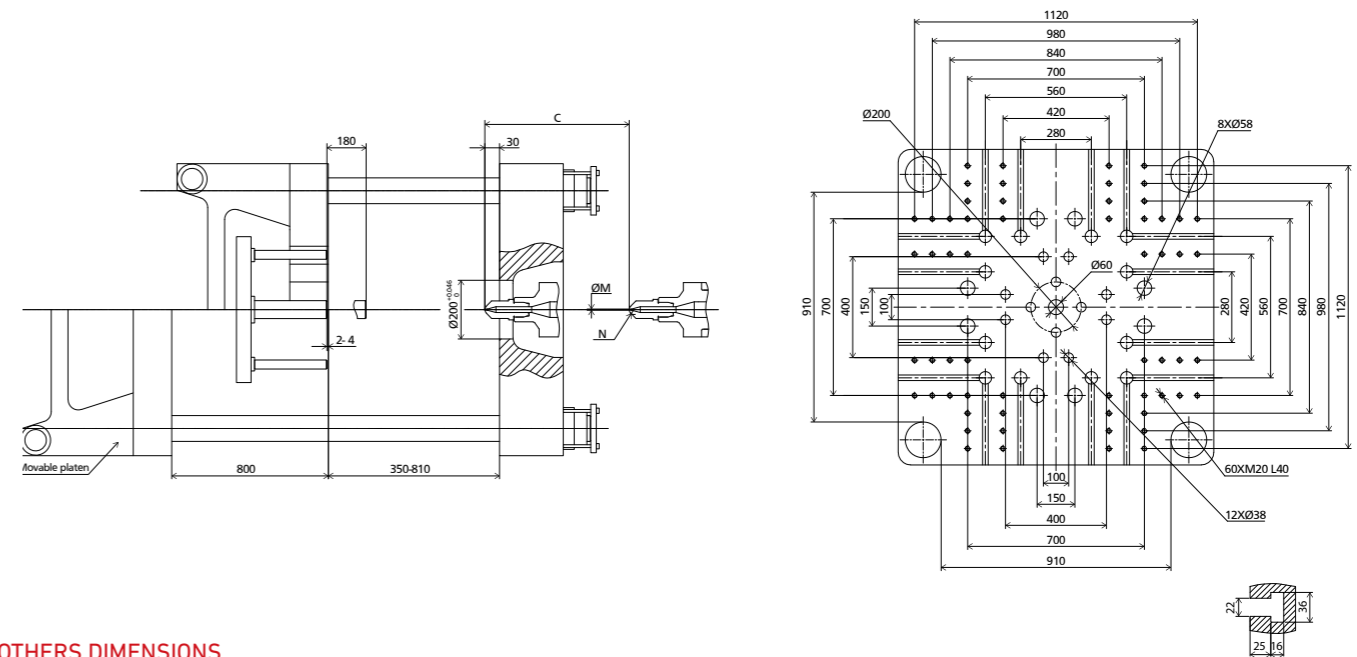
This parameter table is based on machine standard configuration;
We reserve the right to make changes as a result of further technical advances.

MACHINE DIMENSIONS

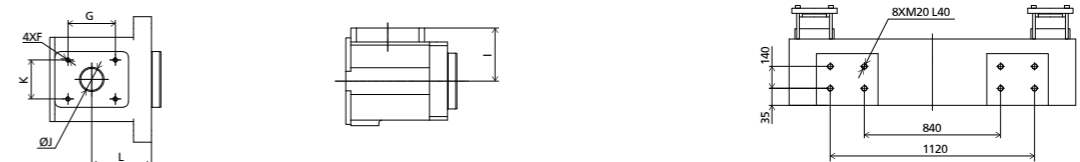


	A	B	C	D	E	F	G	H	I	J	K	L	M	N
1400h,1400	7733	1383	520	245	2217	4XM10 L20	115	2354	143	82	115	204	Ø3	SR10
1700h,1700	8216	1543	560	250	2309	4XM10 L20	115	2359	148	95	115	222.5	Ø3	SR10
2250	7950	1630	610	327	2157	4XM10 L20	115	2520	225	85	115	70	Ø4	SR15
3350	8219	1841	610	346	2157	4XM12 L25	170	2846	225	100	170	128	Ø4	SR15

PLATEN DIMENSIONS



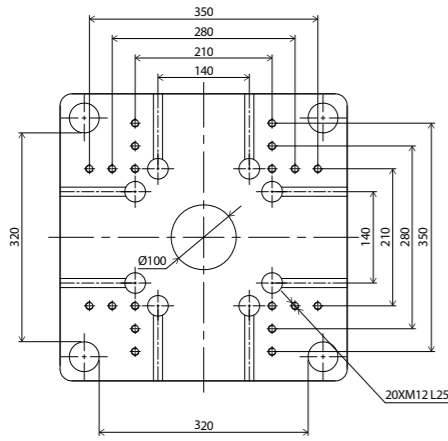
OTHERS DIMENSIONS



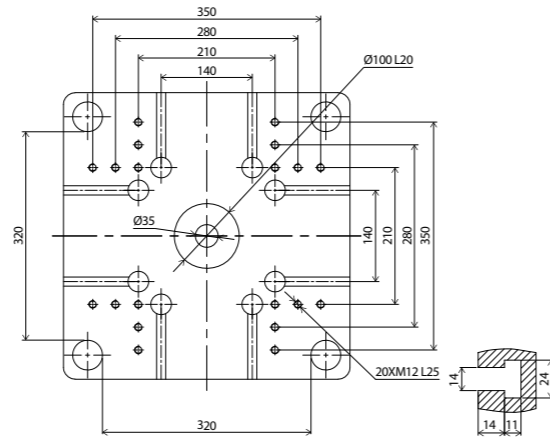
HOPPER MOUNTING DIMENSION

ROBOT TOP VIEW FIXED PLATEN

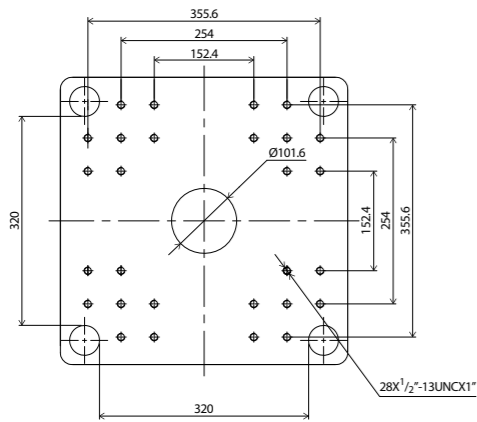
EUROPEAN VERSION
FIXED PLATEN



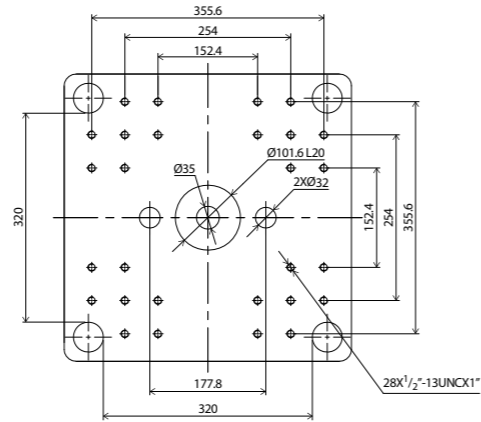
MOVABLE PLATEN



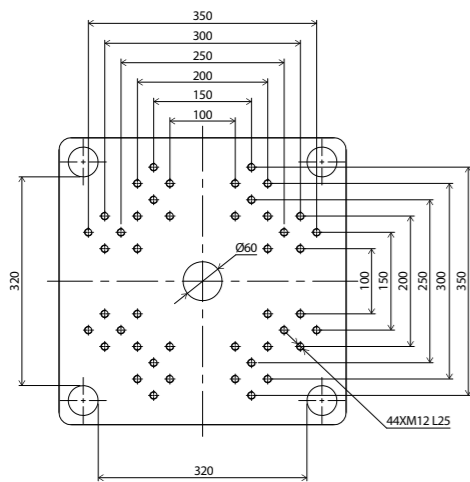
AMERICAN VERSION
FIXED PLATEN



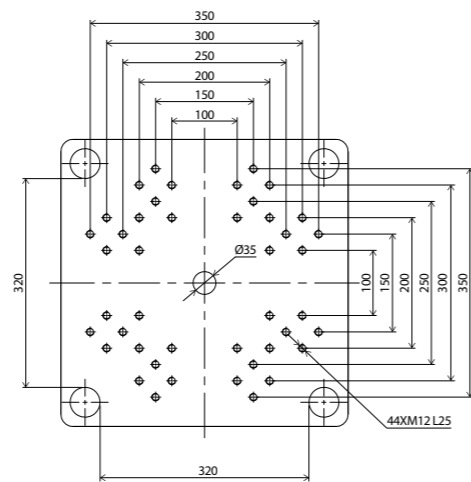
MOVABLE PLATEN



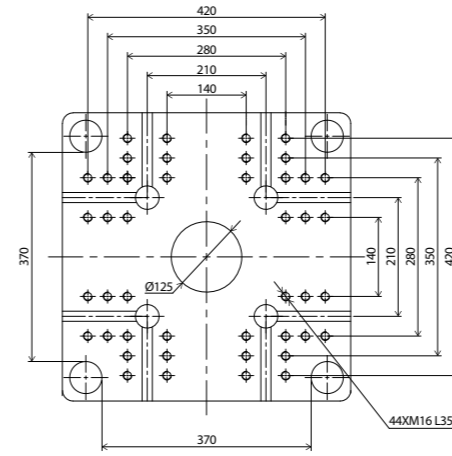
JAPANESE VERSION
FIXED PLATEN



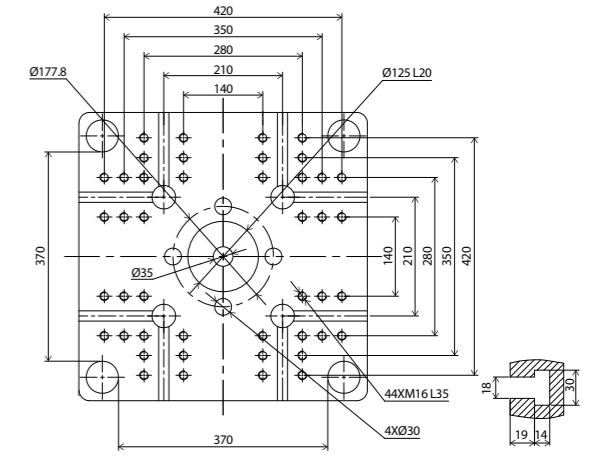
MOVABLE PLATEN



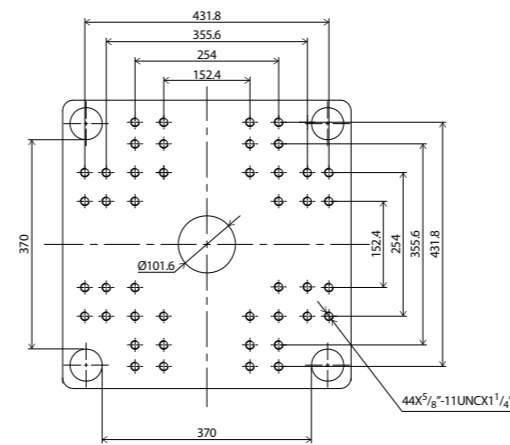
EUROPEAN VERSION
FIXED PLATEN



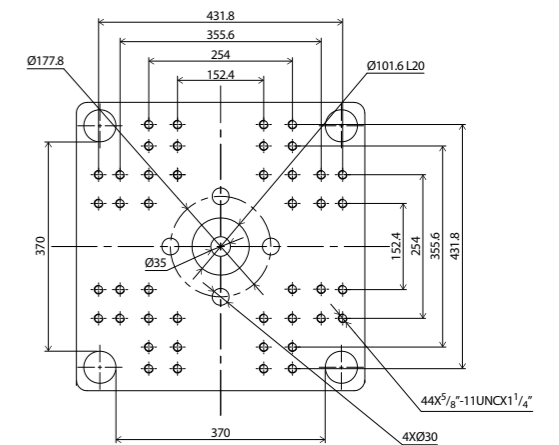
MOVABLE PLATEN



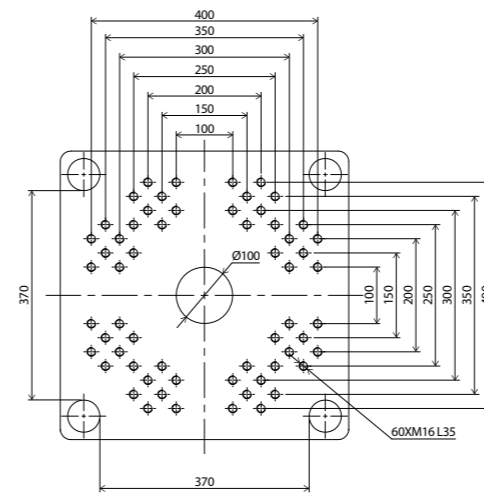
AMERICAN VERSION
FIXED PLATEN



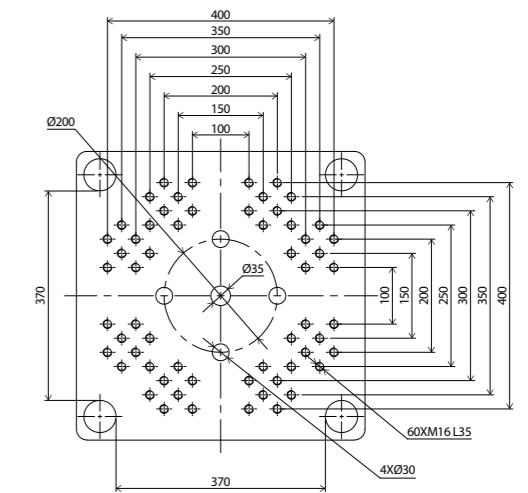
MOVABLE PLATEN



JAPANESE VERSION
FIXED PLATEN

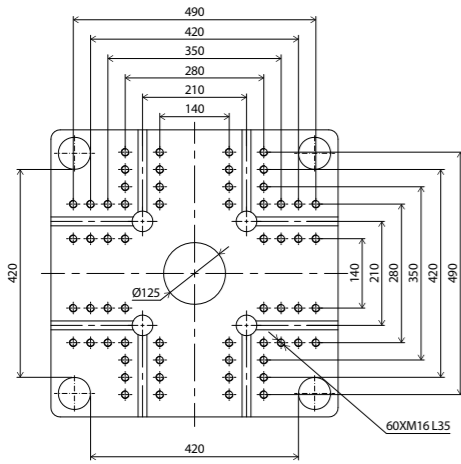


MOVABLE PLATEN

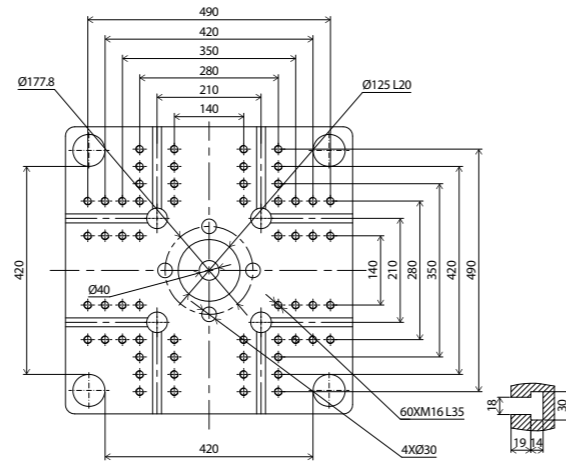


We reserve the right to make changes as a result of further technical advances.

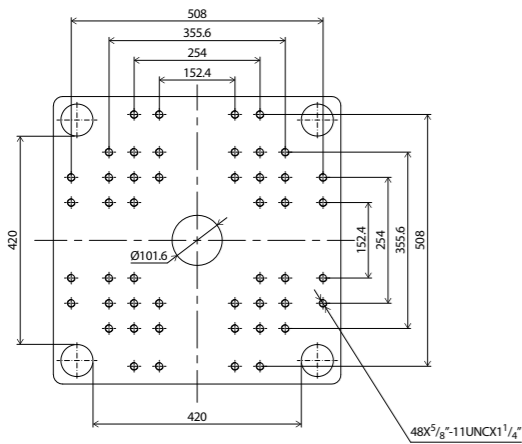
EUROPEAN VERSION
FIXED PLATEN



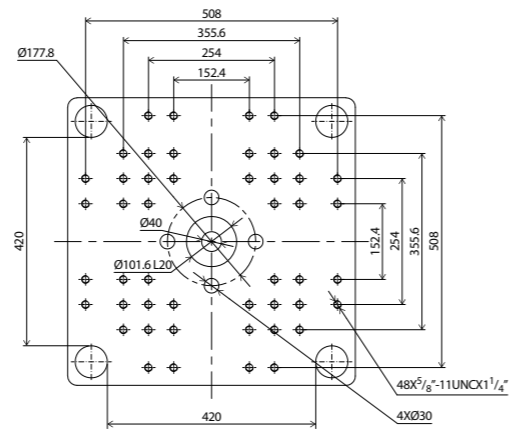
MOVABLE PLATEN



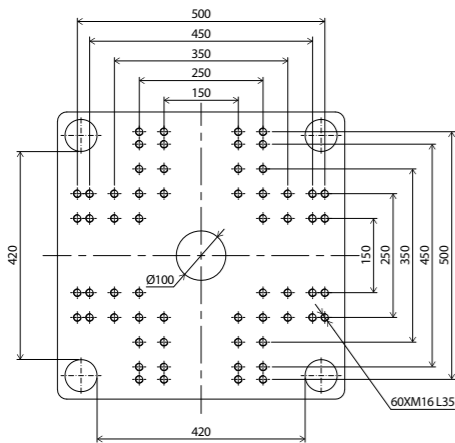
AMERICAN VERSION
FIXED PLATEN



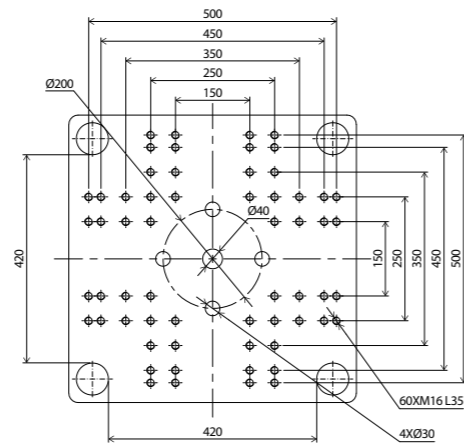
MOVABLE PLATEN



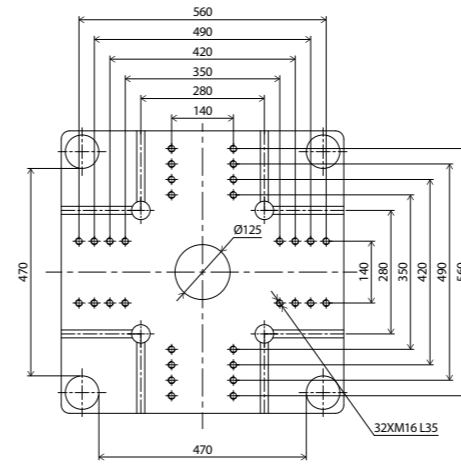
JAPANESE VERSION
FIXED PLATEN



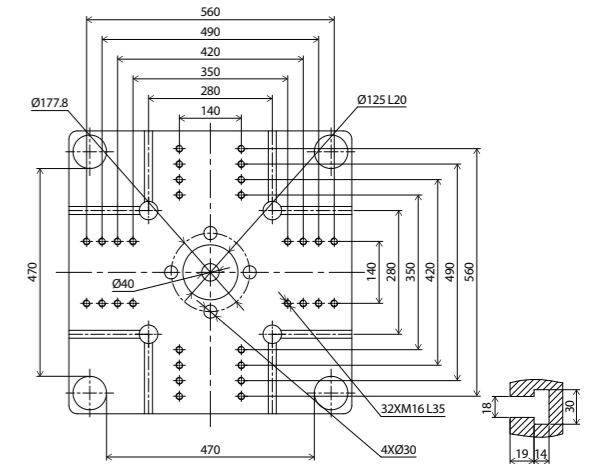
MOVABLE PLATEN



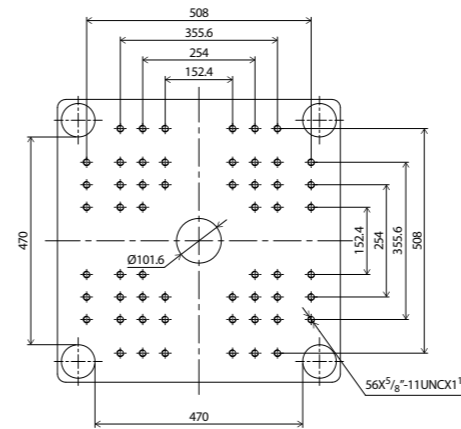
EUROPEAN VERSION
FIXED PLATEN



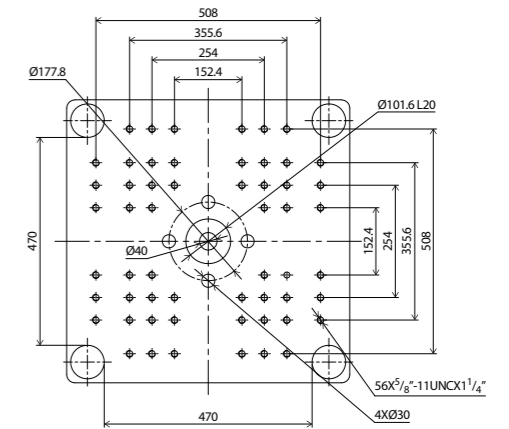
MOVABLE PLATEN



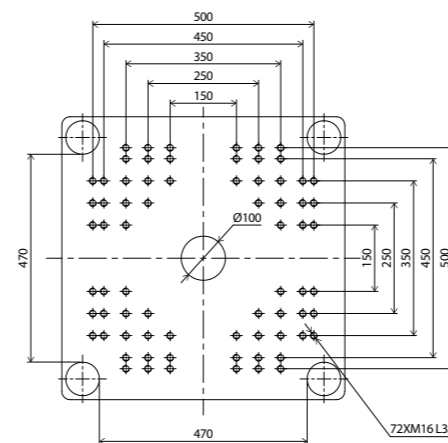
AMERICAN VERSION
FIXED PLATEN



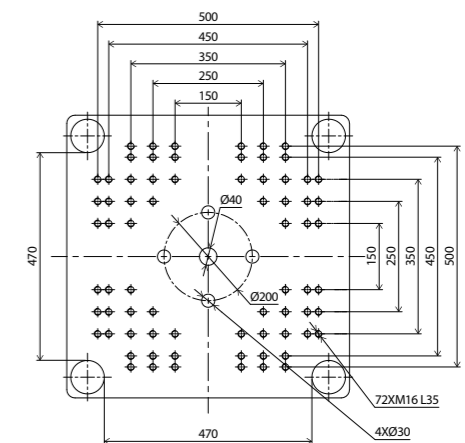
MOVABLE PLATEN



JAPANESE VERSION
FIXED PLATEN

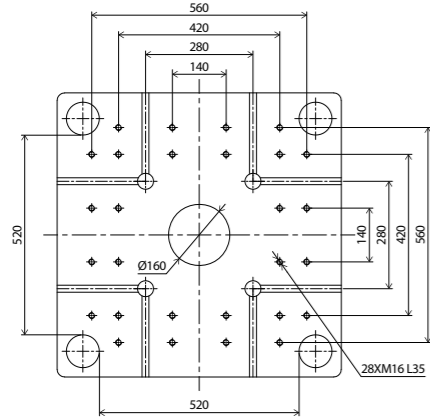


MOVABLE PLATEN

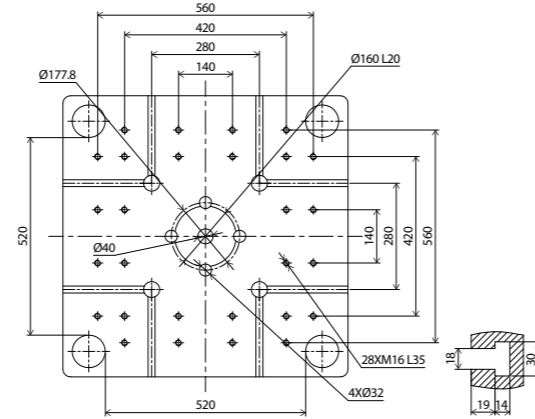


We reserve the right to make changes as a result of further technical advances.

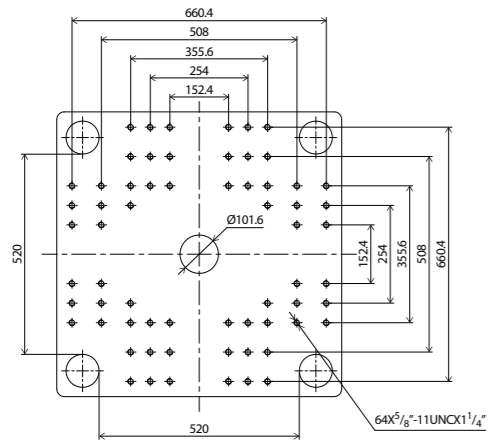
EUROPEAN VERSION
FIXED PLATEN



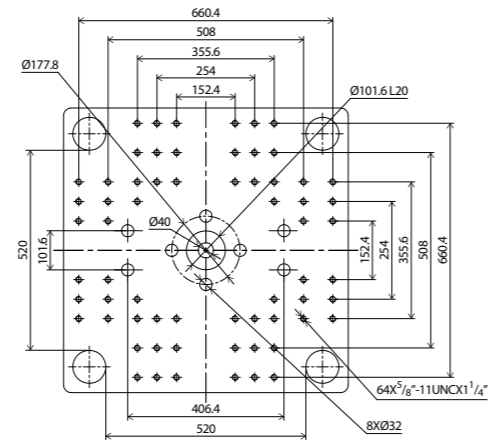
MOVABLE PLATEN



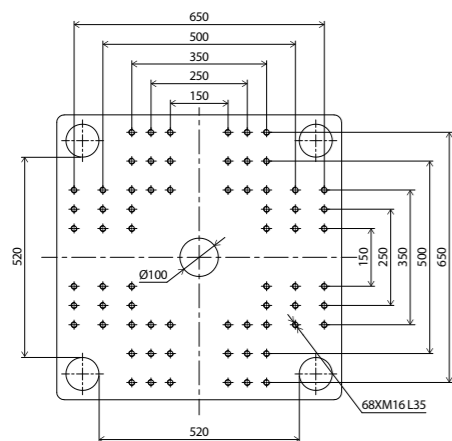
AMERICAN VERSION
FIXED PLATEN



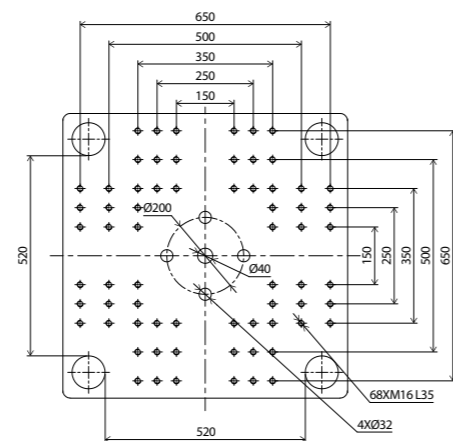
MOVABLE PLATEN



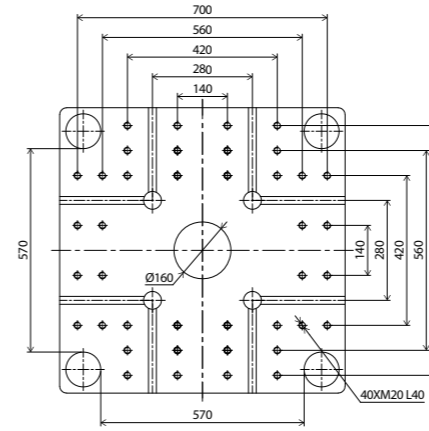
JAPANESE VERSION
FIXED PLATEN



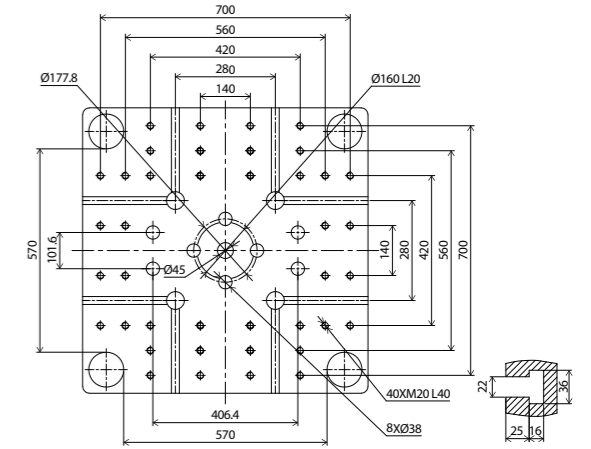
MOVABLE PLATEN



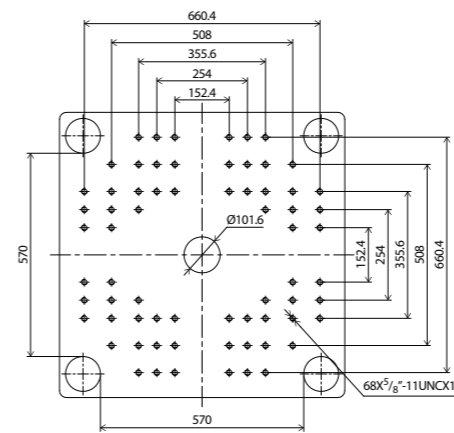
EUROPEAN VERSION
FIXED PLATEN



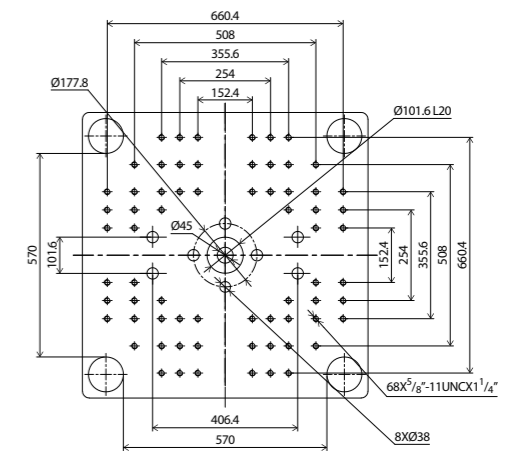
MOVABLE PLATEN



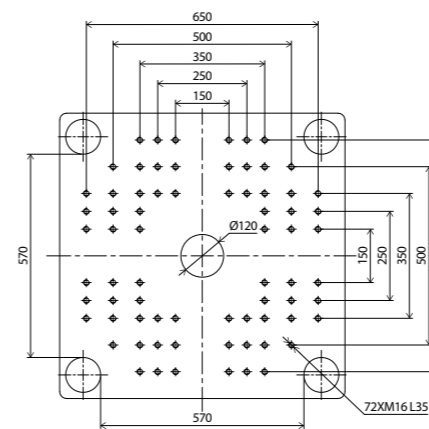
AMERICAN VERSION
FIXED PLATEN



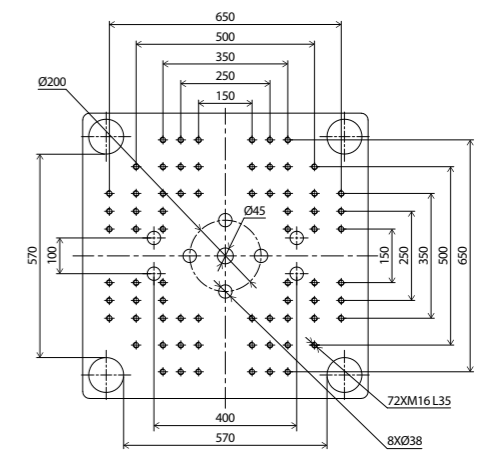
MOVABLE PLATEN



JAPANESE VERSION
FIXED PLATEN

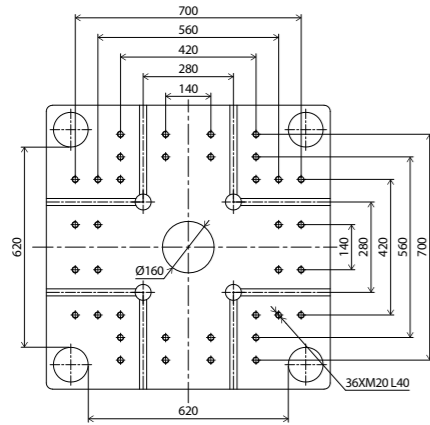


MOVABLE PLATEN

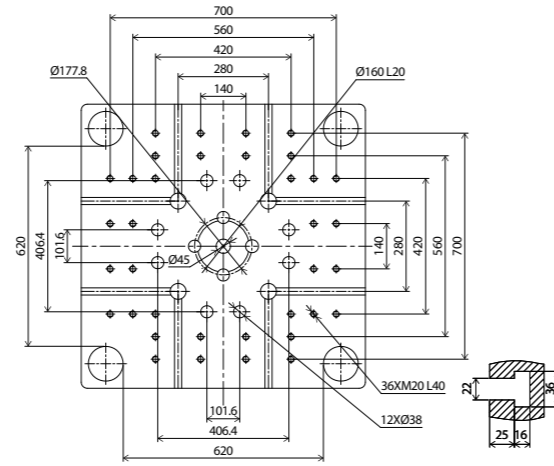


We reserve the right to make changes as a result of further technical advances.

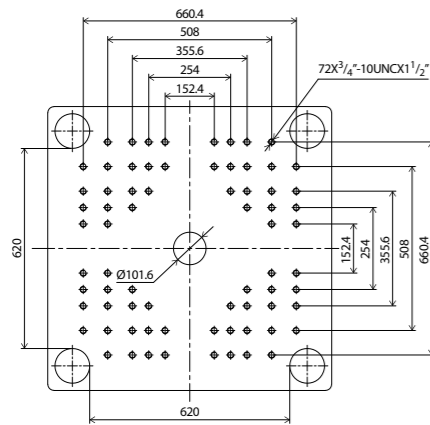
EUROPEAN VERSION
FIXED PLATEN



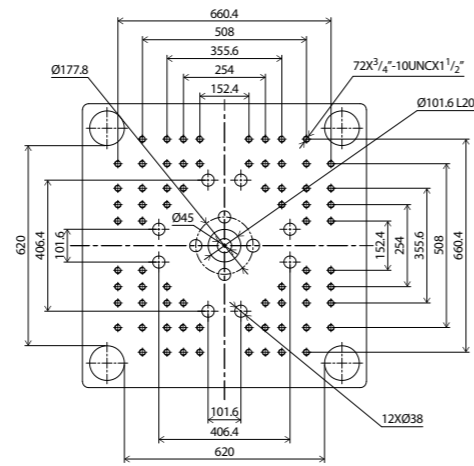
MOVABLE PLATEN



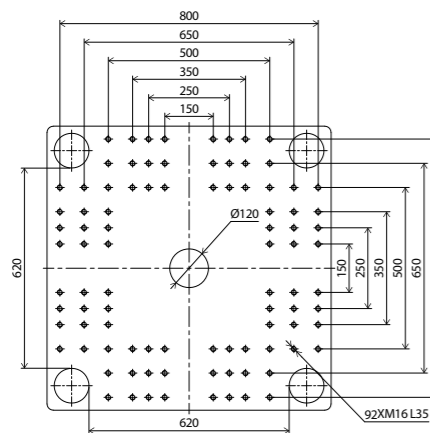
AMERICAN VERSION
FIXED PLATEN



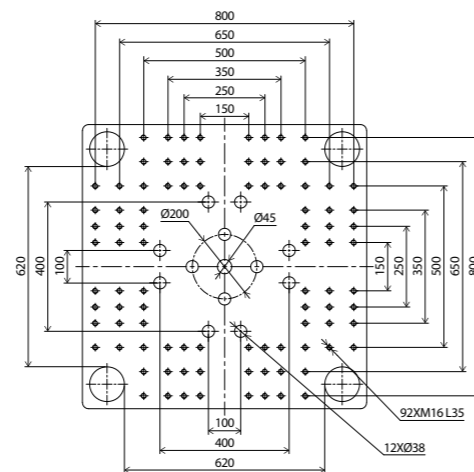
MOVABLE PLATEN



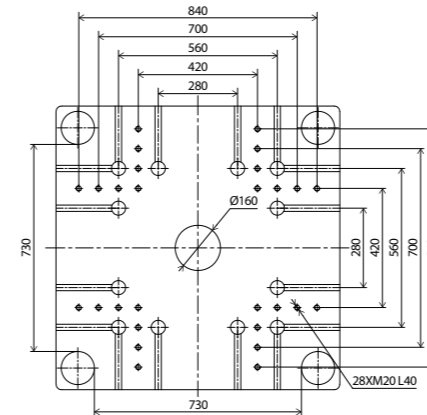
JAPANESE VERSION
FIXED PLATEN



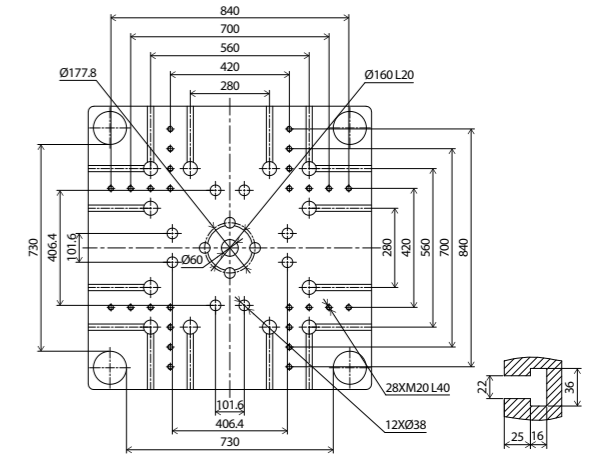
MOVABLE PLATEN



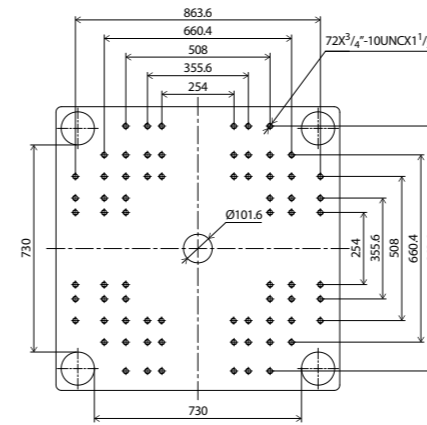
EUROPEAN VERSION
FIXED PLATEN



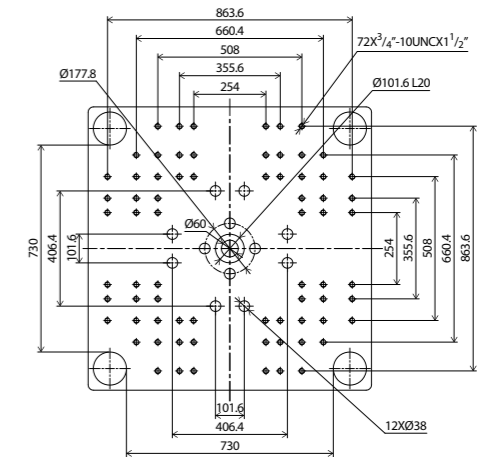
MOVABLE PLATEN



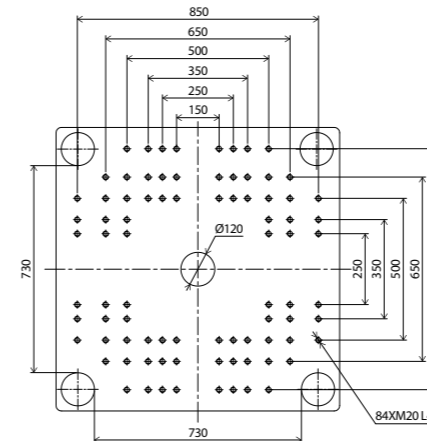
AMERICAN VERSION
FIXED PLATEN



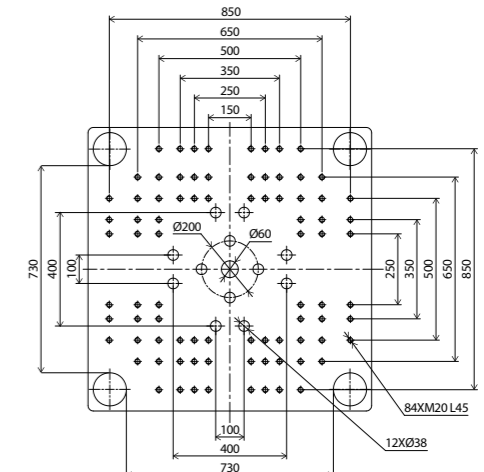
MOVABLE PLATEN



JAPANESE VERSION
FIXED PLATEN

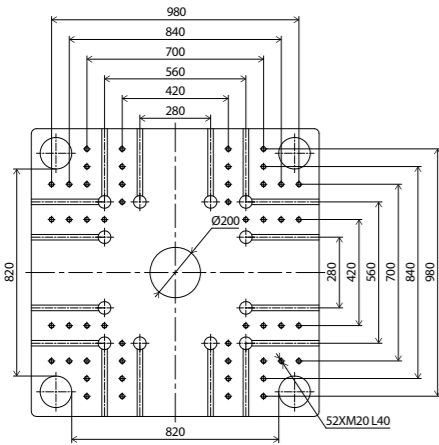


MOVABLE PLATEN

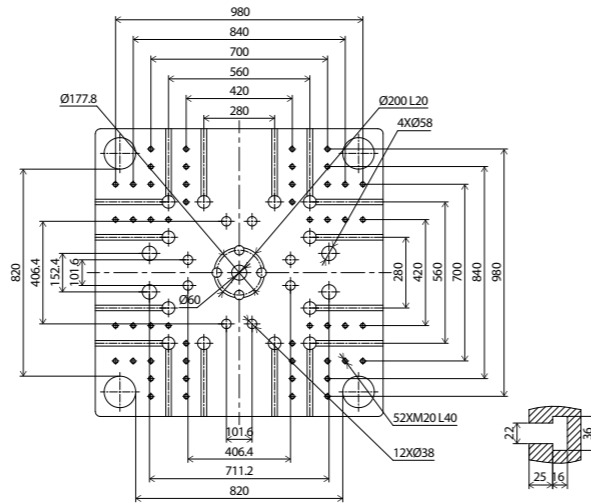


We reserve the right to make changes as a result of further technical advances.

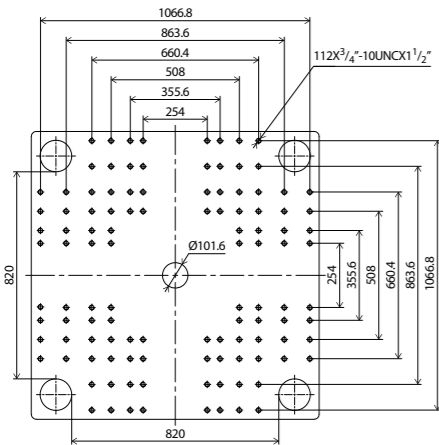
EUROPEAN VERSION
FIXED PLATEN



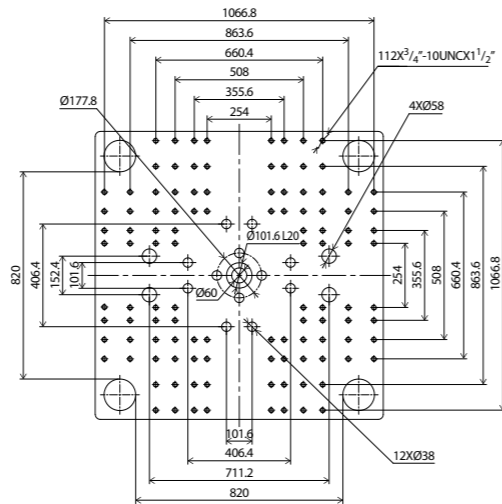
MOVABLE PLATEN



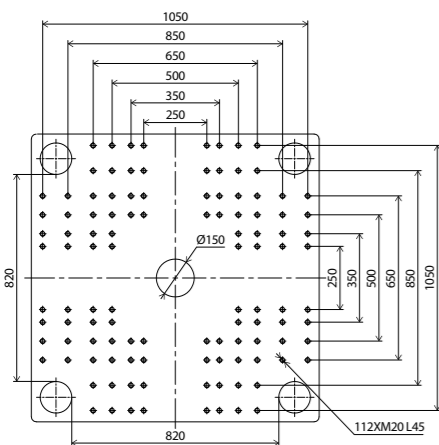
AMERICAN VERSION
FIXED PLATEN



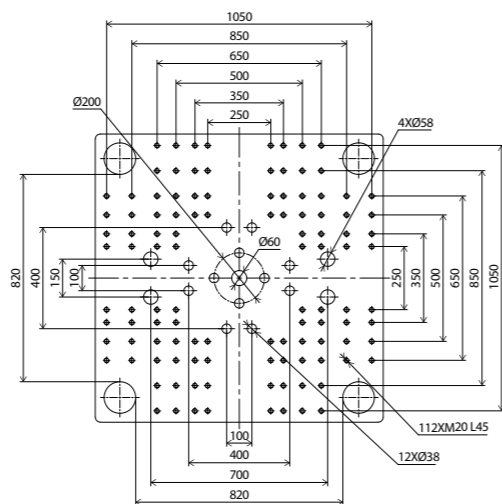
MOVABLE PLATEN



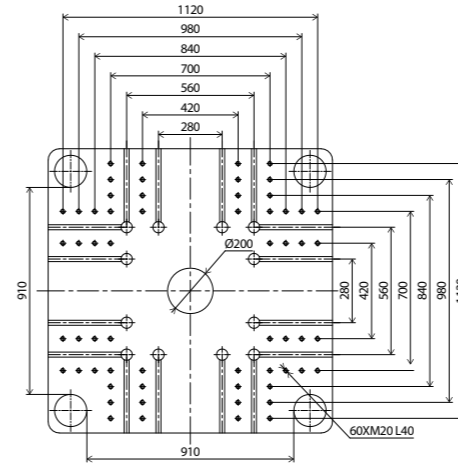
JAPANESE VERSION
FIXED PLATEN



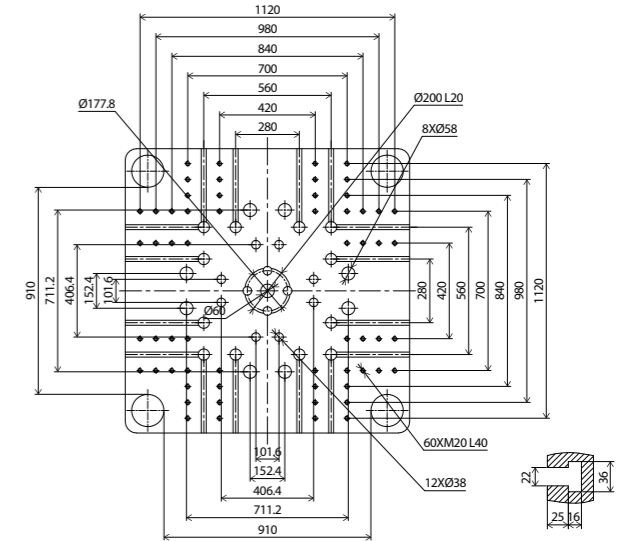
MOVABLE PLATEN



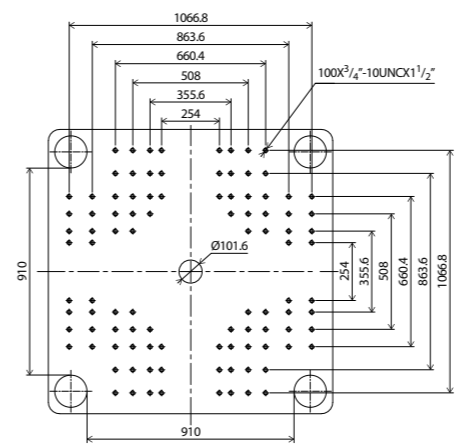
EUROPEAN VERSION
FIXED PLATEN



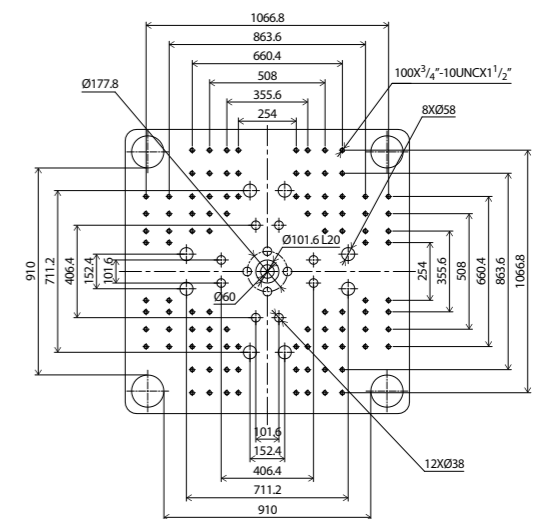
MOVABLE PLATEN



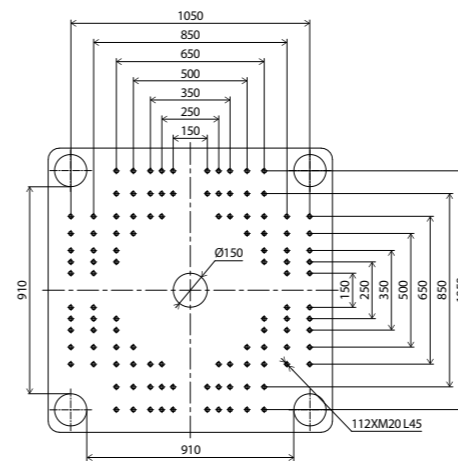
AMERICAN VERSION
FIXED PLATEN



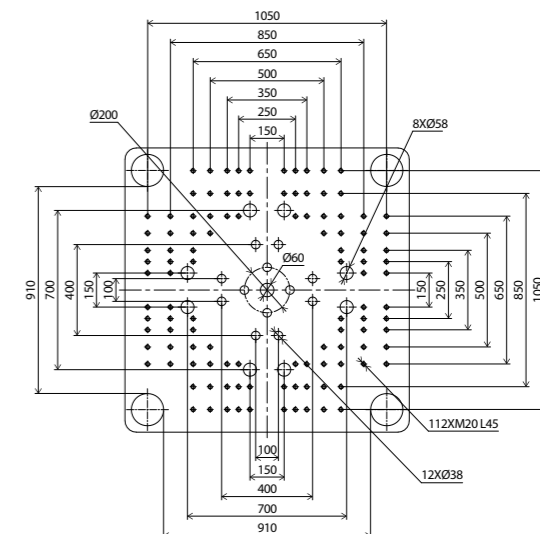
MOVABLE PLATEN



JAPANESE VERSION
FIXED PLATEN



MOVABLE PLATEN



We reserve the right to make changes as a result of further technical advances.

STANDARD EQUIPMENT LIST

GENERAL EQUIPMENT

- » Basic safety device according to GB/22530
- » ZHAFIR colors: RAL9010, RAL5003
- » Power supply: 380VAC, 3PH+N+PE
- » Sigmatek controller, 15.1 inch touch screen
- » Injection, dosing, platen movement and ejector movement driven independently by servo motor, optical encoder position detection
- » LUBE central lubrication system

INJECTION UNIT

- » Abrasion-resistant screw set, general version
- » Open nozzle
- » Barrel heating temperature PID control, SSR
- » Extended nozzle, temperature PID control independently
- » Feeding zone temperature closed-loop control
- » Injection speed 6 steps
- » Speed responding mode adjustable
- » Holding pressure 4 steps
- » Pressure responding mode adjustable
- » V/P switch over methods by position/ time/ pressure combinations
- » Dosing rotation speed 3 steps
- » Back pressure 3 steps
- » HPM over-filling protection function
- » Screw retraction before and/or after dosing
- » Auto purge

CLAMPING UNIT

- » 5-point twin toggle mechanism
- » Center pressing platen
- » Clamping force settable at control panel
- » Automatic mold-height adjustment
- » Platen moving speed 6 steps
- » AI mold protection
- » Clamping force pre-release
- » Ejector speed 3 steps
- » Ejector pressure 3 steps
- » Multi ejection function
- » Ejection parallel to mold opening

FUNCTIONS & CONTROLS

- » Multi-language available (Chinese, German, English, Japanese etc.)
- » Metric/Imperial unit selectable
- » Dosing parallel to mold opening
- » Injection compression
- » Production assistant device function
- » Maintenance alert
- » 5000 cycles process data recording
- » Amendment report
- » Alarm record
- » Quality control function
- » Mold profile data memory (up to 200 sets)
- » 2 USB interface
- » USB printer interface
- » Injection speed & pressure curve
- » 1 free programmable I/O
- » Mold ejector protection interface
- » EUROMAP 12 interface for handling device
- » Auxiliary socket 3PH/380V 32A×1, 16A×2
- » 3 color alarm lamp (red/yellow/green)

OTHERS

- » Tool kit & spare parts package
- » Leveling pads
- » Documents with machine
- » Operating manual

NOTE

1
2
3
4
5
6
7
8
9
10
1
2
3
4
5
6
7
8
9
10
1
2
3
4
5
6
7
8
9
10
1
2
3
4
5
6
7
8
9
10

We reserve the right to make changes as a result of further technical advances.

